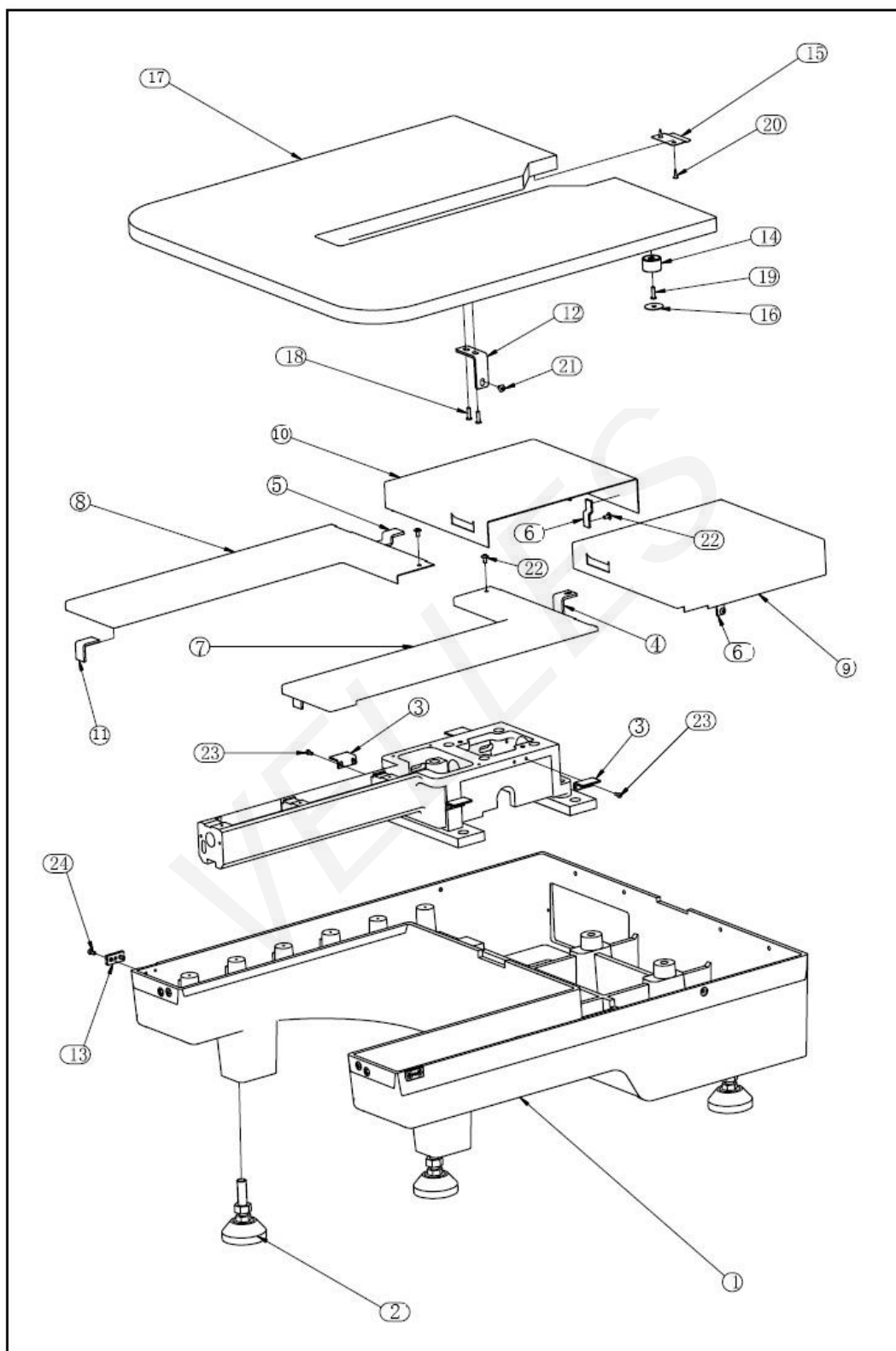


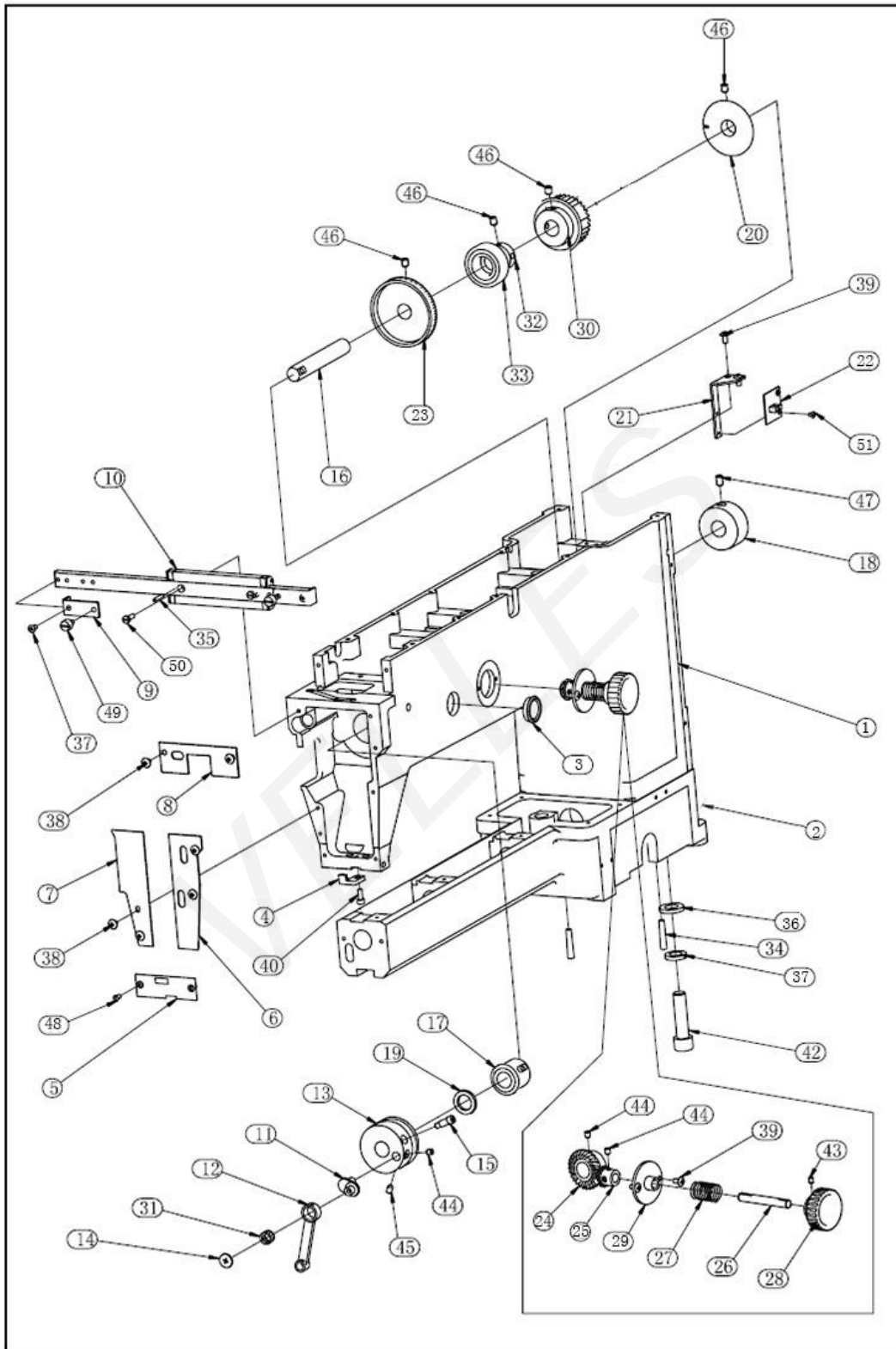
1. 盖板及台板 TABLE GUARD COVER



1. 盖板及台板 TABLE GUARD COVER

NO.	名称	PARTS NAME	REMARK
1	机座	base	
2	调整支脚	adjustment support arm	
3	罩壳托架	cover bracket	
4	罩壳托架	cover bracket	
5	罩壳托架	cover bracket	
6	罩壳托架	cover bracket	
7	前右罩壳	cover front R	
8	前左罩壳	cover front L	
9	后右罩壳	cover rear R	
10	后左罩壳	cover rear L	
11	连接板	connecting plate	
12	支架板	support board	
13	台板支架座	table support base	
14	台板垫块	table cushion	
15	台板后卡块	table back block	
16	垫块毛毡	cushion felt	
17	台板	table	
18	螺丝	screw	
19	螺丝	screw	
20	螺丝	screw	
21	螺丝	screw	
22	螺丝	screw	
23	螺丝	screw	
24	螺丝	screw	

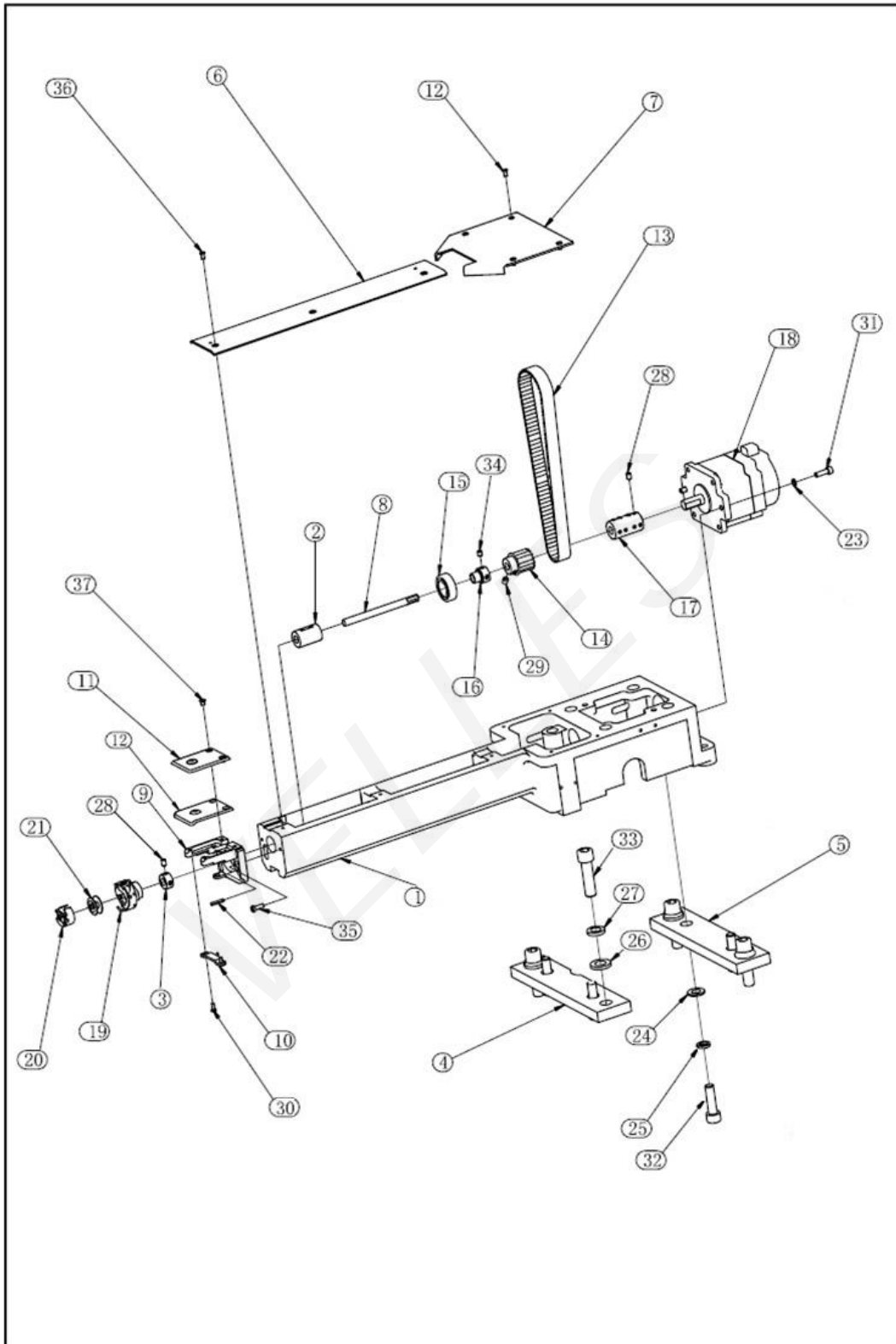
2. 机头 ARM



2. 机头 ARM

NO.	名称	PARTS NAME	REMARK
1	机头	arm	
2	旋梭箱	rotary hook base	
3	观察镜	dial observer	
4	定位板	positioning plate	
5	前下盖板	front cover lower	
6	前后盖板	front cover R	
7	前左盖板	front cover L	
8	前上盖板	front cover up	
9	导轨挡块	guide rail baffle	
10	直线导轨	straight guide rail	
11	偏心销	eccentric pin	
12	驱动连杆	drive connecting rod	
13	机头凸轮	arm cam	
14	驱动连杆螺丝	drive connecting rod screw	
15	凸轮销	cam pin	
16	上轴	upper shaft	
17	上轴前轴套	upper shaft front bushing	
18	上轴后轴套	upper shaft rear bushing	
19	凸轮垫圈	cam cushion	
20	零位检测片	zero position detection disk	
21	零位光耦支架	zero position coupler bracket	
22	零位检测板	zero position detection plate	
23	主轴刻度盘	main shaft dial	
24	大伞齿轮	bevel gear big	
25	小伞齿轮	bevel gear small	
26	手柄轴	handle shaft	
27	手臂弹簧	handle spring	
28	调整手柄	adjustment handle	
29	手柄套	handle bushing	
30	同步带轮	timing pulley	
31	轴承	bearing	
32	轴承套	bearing collar	
33	轴承	bearing	
34	锥度销	pin	
35	园柱销	pin	
36	平垫	plain spacer	
37	弹簧垫片	spring spacer	
38	螺丝	screw	
...	
51	螺丝	screw	

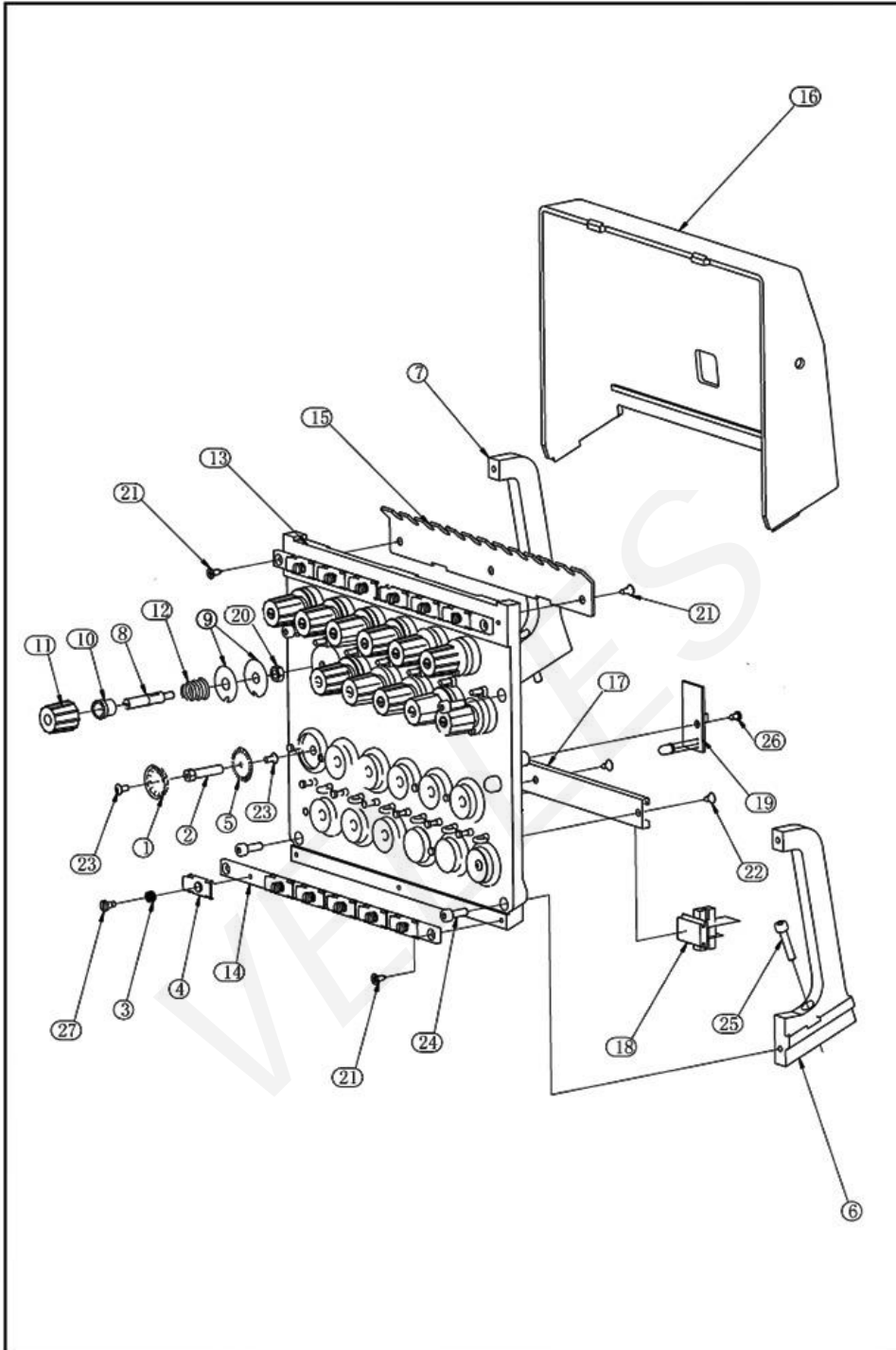
3. 旋梭箱 ROTARY HOOK BASE



3. 旋梭箱 ROTARY HOOK BASE

NO.	名称	PARTS NAME	REMARK
1	旋梭箱	rotary hook base	
2	轴套	bearing collar	
3	挡圈	baffle	
4	前支板	front bracket	
5	后支板	rear bracket	
6	盖板	cover	
7	后盖板	back cover	
8	下轴	lower shaft	
9	针板座	needle plate base	
10	旋梭支架	rotary position hook	
11	针板	needle plate	
12	弯针板	bent needle plate	
13	同步带	timing belt	
14	同步带轮	timing pulley	
15	轴承	bearing	
16	轴承套	bearing collar	
17	轴接套	bearing collar	
18	伺服电机	servo motor	
19	旋梭	rotary hook	
20	梭壳	bobbin case	
21	梭芯	bobbin	
22	圆柱销	spring pin	
23	弹簧垫片	spring spacer	
24	平垫	plain spacer	
25	弹簧垫片	spring spacer	
26	平垫	plain spacer	
27	弹簧垫片	spring spacer	
28	螺丝	screw	
...	
37	螺丝	screw	

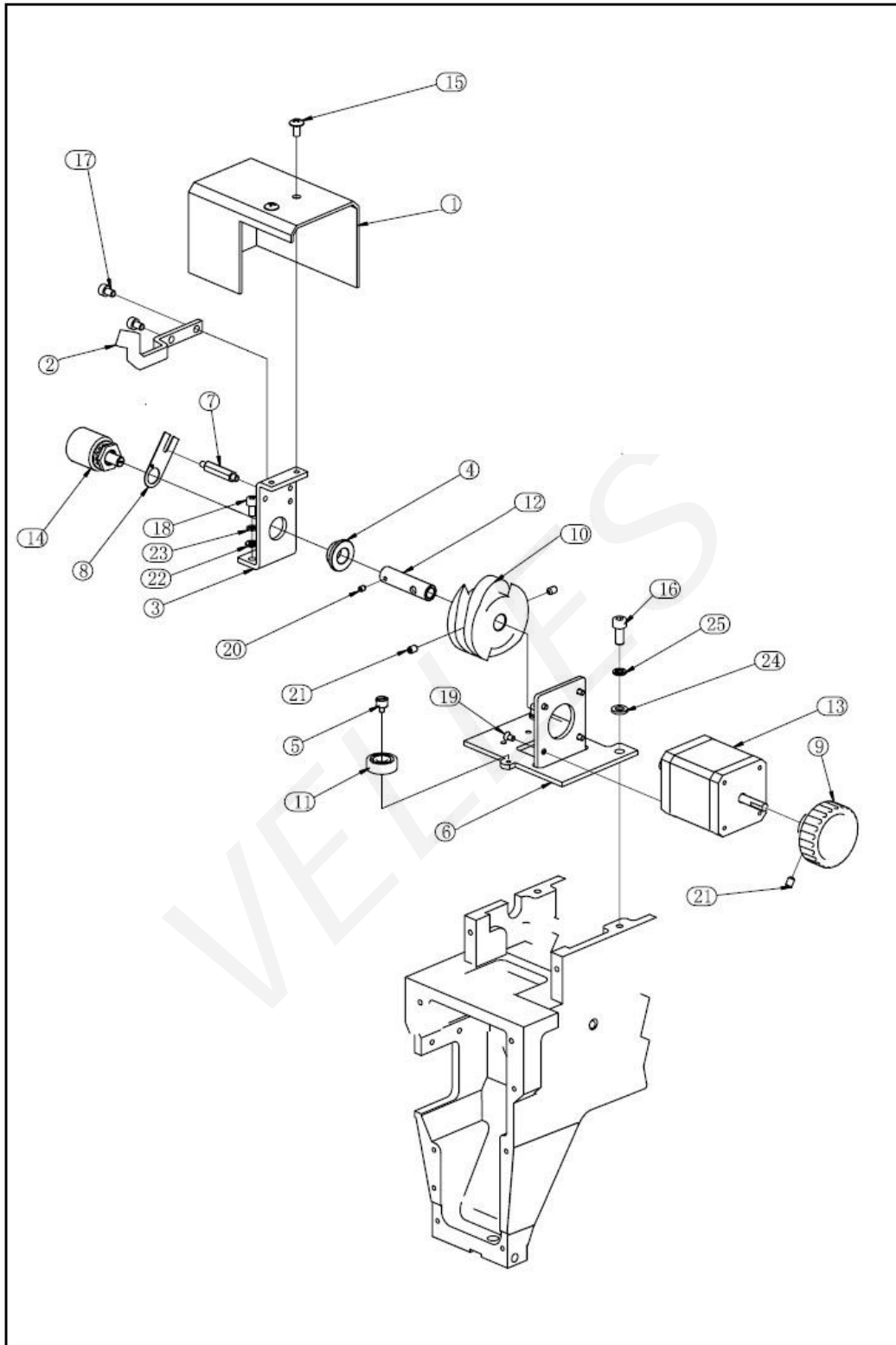
4. 过线器 THREAD TENTION BASE



4. 过线器 THREAD TENTION BASE

NO.	名称	PARTS NAME	REMARK
1	过线轮	thread course wheel	
2	夹线片轴	tension disk	
3	压线弹簧	thread presser spring	
4	压线片	thread presser	
5	断线挡片	breakage detection disk	
6	支架-右	support-R	
7	支架-左	support-L	
8	夹线钉	thread tension screw	
9	夹线片	thread tension disk	
10	调节钮	adjust button	
11	小旋钮	small knob	
12	压线弹簧	thread presser spring	
13	过线器板	thread thension plate	
14	导线板	thread guide plate	
15	引线板	thread lead plate	
16	后盖板	rear cover	
17	滑条	slider	
18	断检板	breakage detection plate	
19	报警板	alarm plate	
20	螺母	nut	
21	螺丝	screw	
...	
27	螺丝	screw	

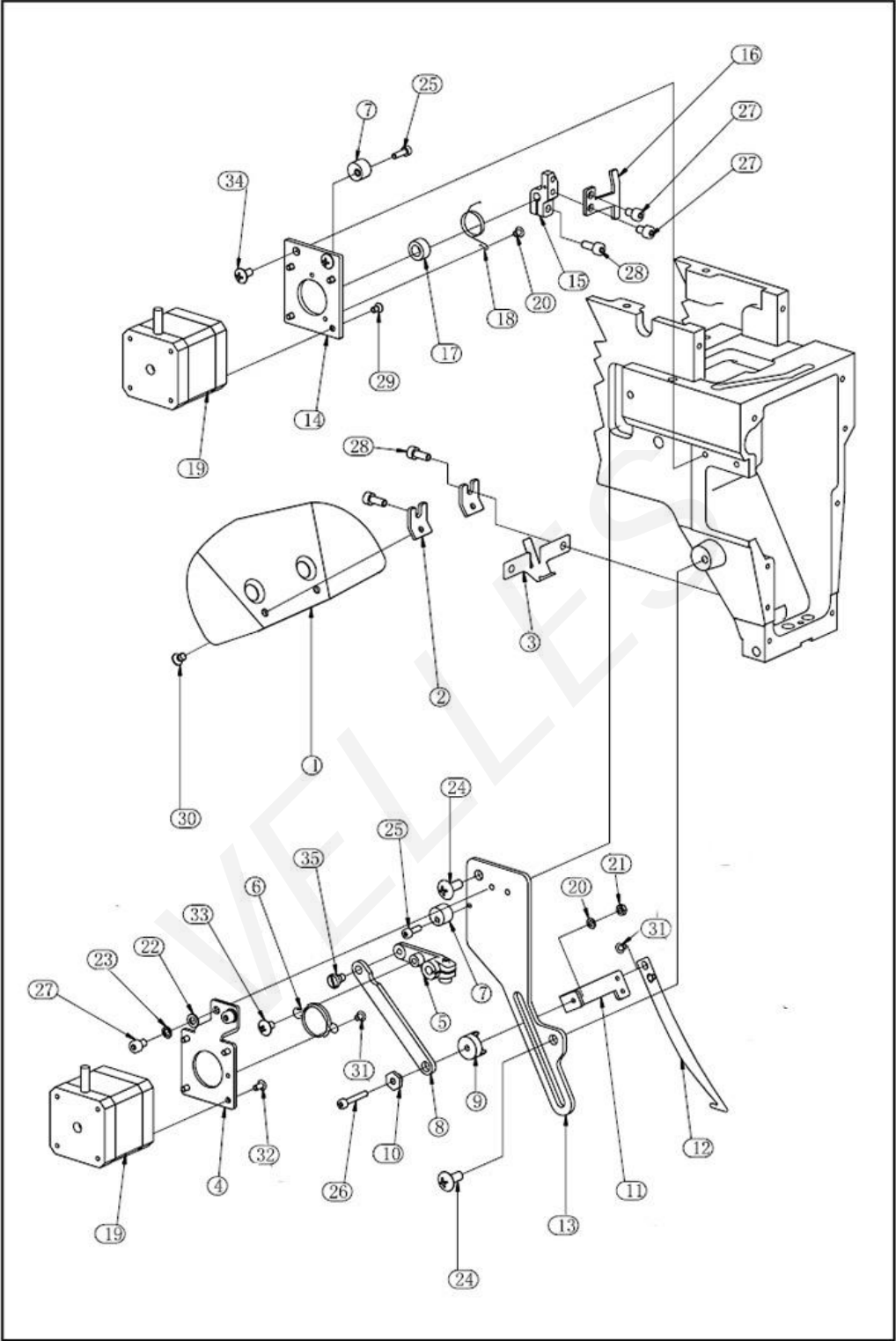
5. 换色 COLOR CHANGE PART



5. 换色 COLOR CHANGE PART

NO.	名称	PARTS NAME	REMARK
1	罩壳	change cover	
2	断检座板	breakage detection base plate	
3	电机支架	motor support	
4	轴套	bearing	
5	轴承销	change bearing pin	
6	换色座	color change base	
7	固定螺丝	potentiometer fixed bolt	
8	电位器支撑板	potentiometer support	
9	换色手柄	color chage handle	
10	换色凸轮	color change cam	
11	轴承	bearing	
12	换色轴套	color change bushing	
13	步进电机	stepping motor	
14	电位器	potentiometer	
15	螺丝	screw	
16	螺丝	screw	
17	螺丝	screw	
18	螺丝	screw	
19	螺丝	screw	
20	螺丝	screw	
21	螺丝	screw	
22	平垫	plain spacer	
23	弹簧垫片	spring spacer	
24	平垫片	plain spacer	
25	弹簧垫片	spring spacer	

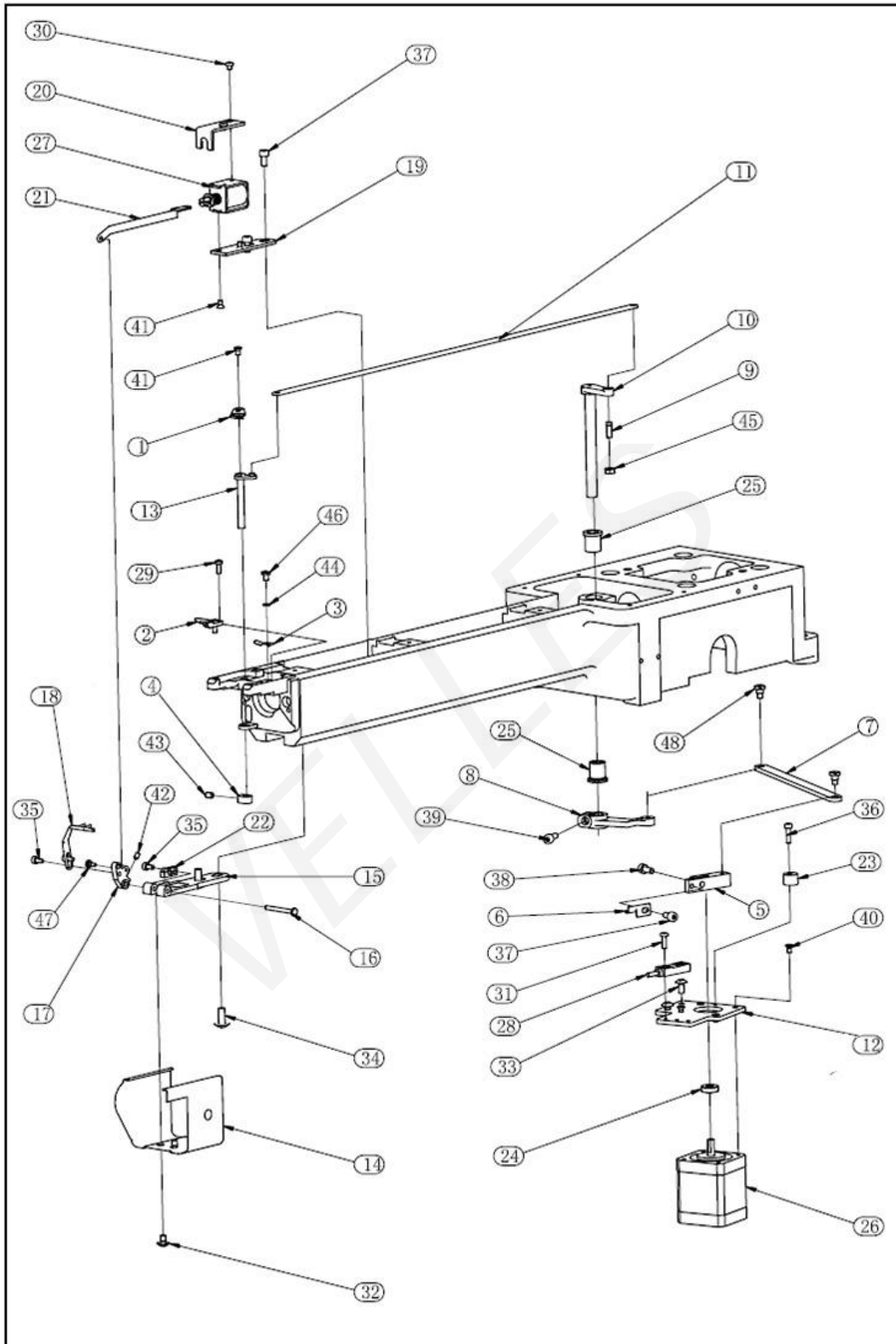
6. 勾线 UPPER THREAD HOOK



6. 勾线 UPPER THREAD HOOK

NO.	名称	PARTS NAME	REMARK
1	下挡板	baffle-lower	
2	下挡板支架	baffle bracket-lower	
3	线勾导向板	hook guide	
4	线勾电机座	hook motor base	
5	线勾驱动臂	hook drive arm	
6	复位弹簧	drive arm returning spring	
7	消音块	silencing block	
8	线勾连杆	thread hook connecting bar	
9	线勾固定块	thread hook positioning block	
10	六角挡圈	hexagon ring	
11	线勾连接块	thread hook connecting block	
12	线勾	thread hook	
13	勾线板	thread hook plate	
14	机头电机座	arm motor plate	
15	机头跳跃板	arm jumping plate	
16	跳跃板架	jumping lever bracket	
17	垫圈	plastic washer	
18	跳跃复位扭簧	jumping torsion spring	
19	步进电机	stepping motor	
20	平垫	plain spacer	
21	螺母	nut	
22	平垫	plain spacer	
23	弹簧垫片	spring spacer	
24	螺丝	screw	
25	螺丝	screw	
26	螺丝	screw	
...	
35	螺丝	screw	

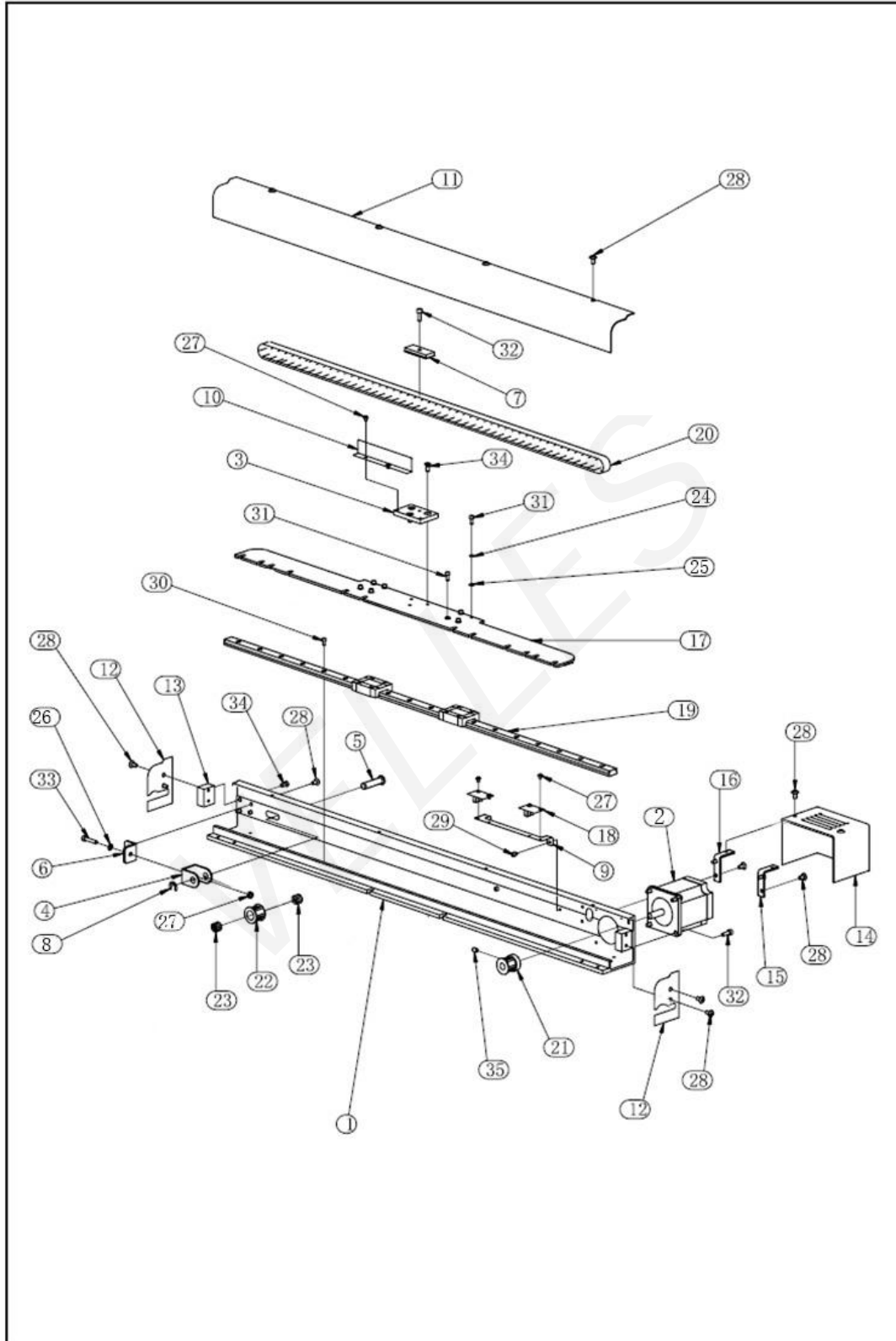
7. 剪线 TRIMMING PART



7. 剪线 TRIMMING PART

NO.	名称	PARTS NAME	REMARK
1	动刀	movable knife	
2	定刀	fixed knife	
3	定刀弹片	fixed knife shrapnel	
4	动刀驱动杆夹头	movable knife drive arm clipper	
5	剪线驱动块	trimming drive block	
6	剪线驱动块感应块	trimming induction block	
7	剪线连杆	trimming connecting rod	
8	剪线转动连杆	trimming drive rod	
9	剪线驱动杆销	trimming drive arm pin	
10	剪线驱动杆	trimming drive arm	
11	剪线拉杆	trimming pull rod	
12	电机座	motor base	
13	动刀驱动杆	movable knife drive rod	
14	针板座罩壳	needle palte base cover	
15	扣线器支架	picker bracket	
16	扣线插销	picker fork connecting pin	
17	扣线叉座	picker fork base	
18	扣线叉	picker fork	
19	扣线电磁铁安装板	picker solenoid installation plate	
20	扣线电磁铁限位板	picker solenoid limit plate	
21	扣线连杆	picker connecting rod	
22	扣线制动器	picker stopper	
23	消音块	silencing block	
24	尼龙垫圈	nylon cushion	
25	端面轴套	face bearing	
26	剪线电机	trimming motor	
27	扣线电磁铁	picker solenoid	
28	接近开关	micro approach switch	
29	螺丝	screw	
...	
48	螺丝	screw	

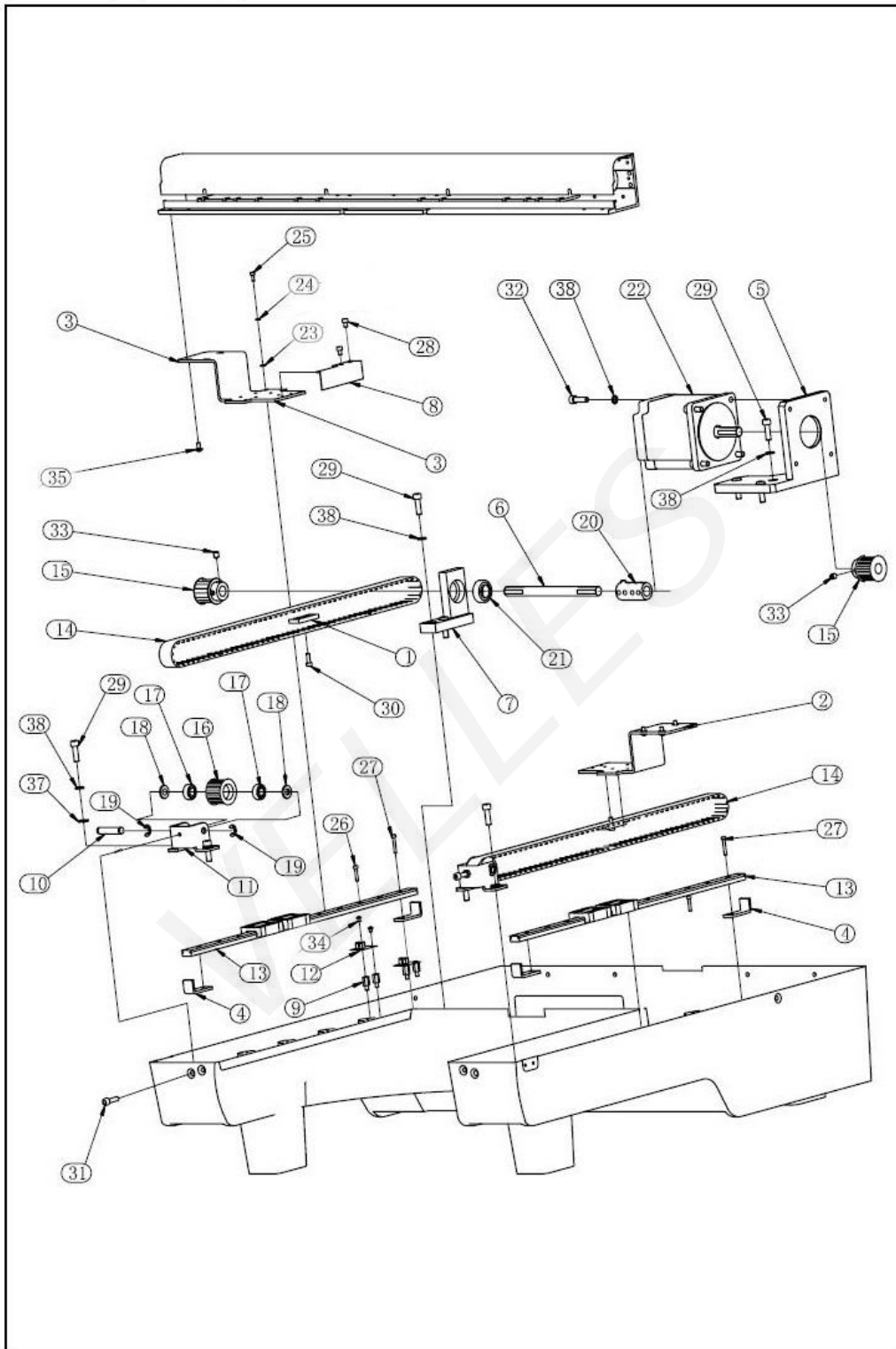
8. X向驱动 X-AXIS DRIVE PART



8. X 向驱动 X-AXIS DRIVE PART

NO.	名称	PARTS NAME	REMARK
1	驱动架	drive shaft	
2	步进电机	stepping motor	
3	连接板压块	connecting plate press block	
4	同步带轮轴	timing pulley bracket	
5	同步带轮托架	timing pulley shaft	
6	涨紧支撑	tension support	
7	皮带压板	belt press plate	
8	卡簧	E-ring	
9	限位安装板	limit installation support	
10	限位挡板	limit buffer	
11	罩壳	cover	
12	侧盖板	side cover	
13	侧盖板支撑	side cover support	
14	电机罩壳	motor cover	
15	罩壳支架	motor cover bracket-L	
16	罩壳支架-右	motor cover bracket-R	
17	X 驱动连接板	X drive connecting plate	
18	同步带	limit plate	
19	直线导轨	standard guide	
20	限位板	timing belt	
21	同步带轮 A	timing pulley A	
22	同步带轮 B	timing pulley B	
23	轴承	roller bearing	
24	平垫片	plain spacer	
25	弹簧垫片	spring spacer	
26	平垫	plain spacer	
27	螺母	nut	
28	螺丝	screw	
...	
36	螺丝	screw	

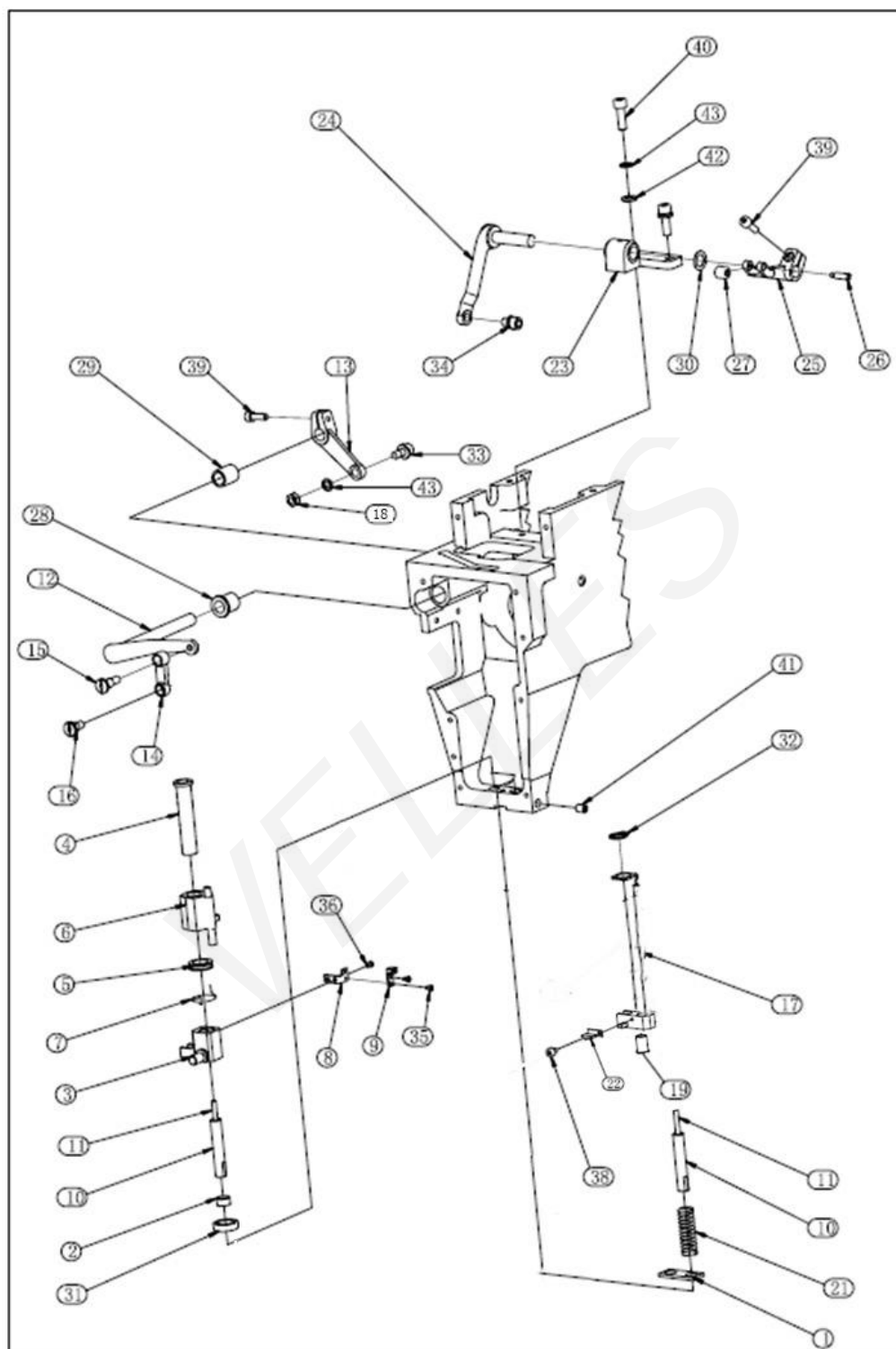
9. Y向驱动 Y-AXIS DRIVE PART



9. Y 向驱动 Y-AXIS DRIVE PART

NO.	名称	PARTS NAME	REMARK
1	皮带压板	belt press plate	
2	驱动连接板-右	drive connecting plate-R	
3	驱动连接板-左	drive connecting plate-L	
4	导轨挡块	guide buffer	
5	电机座	motor base	
6	驱动轴	drive shaft	
7	轴承座	bearing base	
8	限位挡块	limit buffer	
9	限位光藕	limit optical coupler base	
10	带轮轴	pulley shaft	
11	涨紧座	tension base	
12	限位板	limit plate	
13	直线导轨	guide rail	
14	同步带	timing belt	
15	同步带轮 A	timing pulley A	
16	同步带轮 B	timing pulley B	
17	轴承	roller bearing	
18	尼龙垫圈	nylon washer	
19	卡簧	E-ring	
20	轴接套	shaft cushin	
21	轴承	bearing	
22	步进电机	stepping motor	
23	平垫片	plain spacer	
24	弹簧垫片	spring spacer	
25	螺丝	screw	
26	螺丝	screw	
27	螺丝	screw	
28	螺丝	screw	
29	螺丝	screw	
30	螺丝	screw	
31	螺丝	screw	
32	螺丝	screw	
33	螺丝	screw	
34	螺丝	screw	
35	螺丝	screw	
36	弹簧垫片	spring spacer	
37	平垫片	plain spacer	
38	弹簧垫片	spring spacer	

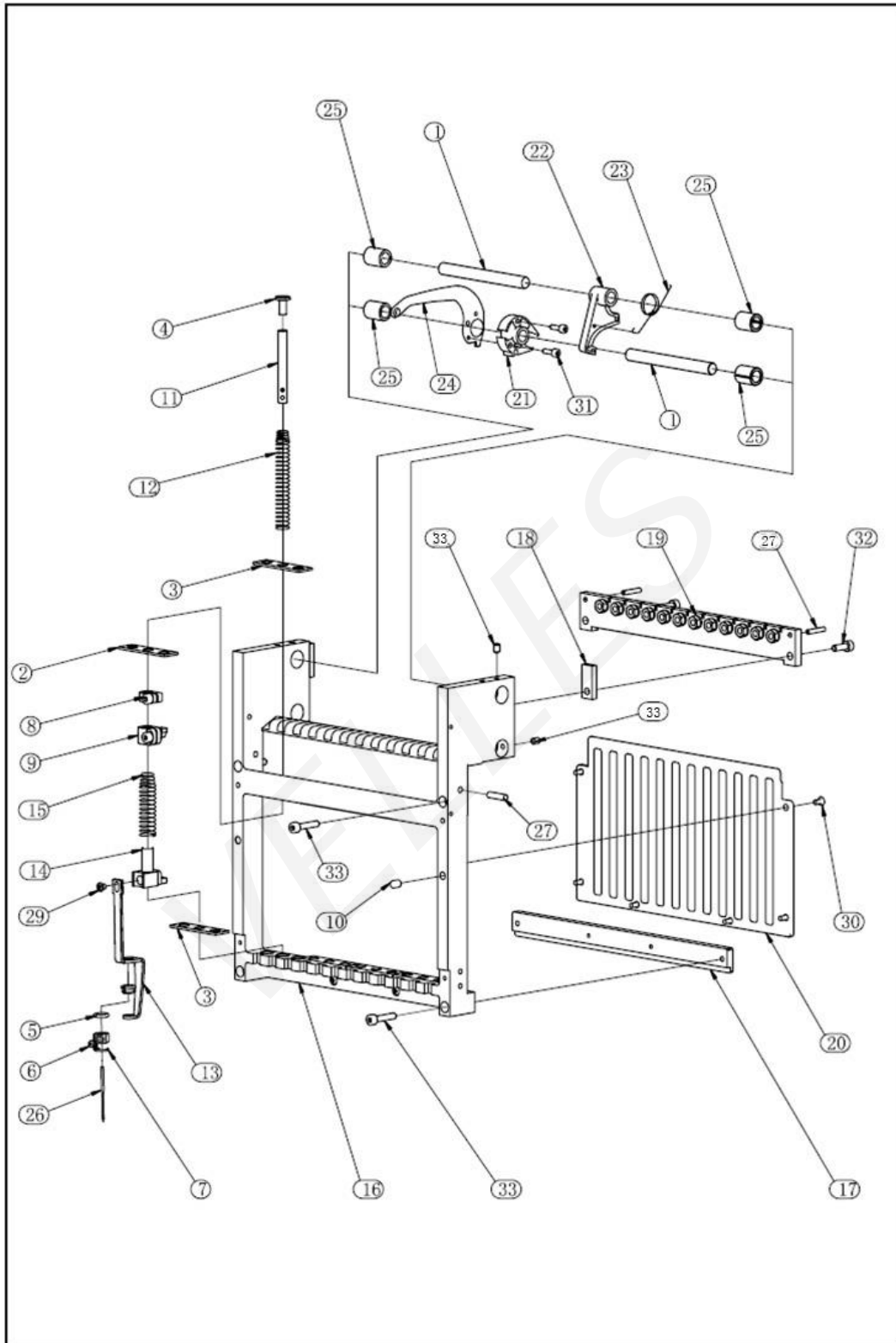
10. 针杆驱动部位 NEEDLE BAR DRIVING PART



10. 针杆驱动部分 NEEDLE BAR DRIVING PART

NO.	名称	PARTS NAME	REMARK
1	毛毡	oil fencing felt	
2	轴环	drive shaft collar	
3	针杆驱动块	needle bar drive block	
4	轴套	shaft bushing	
5	扭簧定位套	torsion spring positioning block	
6	驱动块	drive block	
7	复位弹簧	driver returnning spring	
8	消音架支架	silencing base support	
9	消音架	drive block support	
10	针杆驱动轴	arm drive shaft	
11	油芯	wick	
12	压脚驱动连杆轴	presser foot drive connecting shaft	
13	压脚凸轮导杆	presser foot cam guide rod	
14	压脚小连杆	presser foot connecting rod	
15	上销钉	connecting rod pin-up	
16	下销钉	connecting rod pin-lower	
17	压脚支架	presser foot slide bracket	
18	螺母	nut	
19	轴承	shaft bushing	
20	压脚驱动块	presser foot drive block	
21	压脚弹簧	presser foot guide spring	
22	压脚垫块	presser foot buffer cushion	
23	挑线杆座	take-up bar base	
24	挑线凸轮连杆	take-up connecting rod-main	
25	挑线连杆	take-up connecting rod	
26	挑线连杆销	take-up connecting lever pin	
27	轴承	bearing	
28	端面轴套	face bushing	
29	直轴套	straight bushing	
30	垫圈	steel washer	
31	轴承	bearing	
32	卡簧	elastic collar	
33	螺丝滚珠	roller pin	
34	铆接滚珠	wheel roller pin	
35	螺丝	screw	
...	
41	螺丝	screw	
42	平垫片	splain spacer	
43	弹簧垫片	spring spacer	

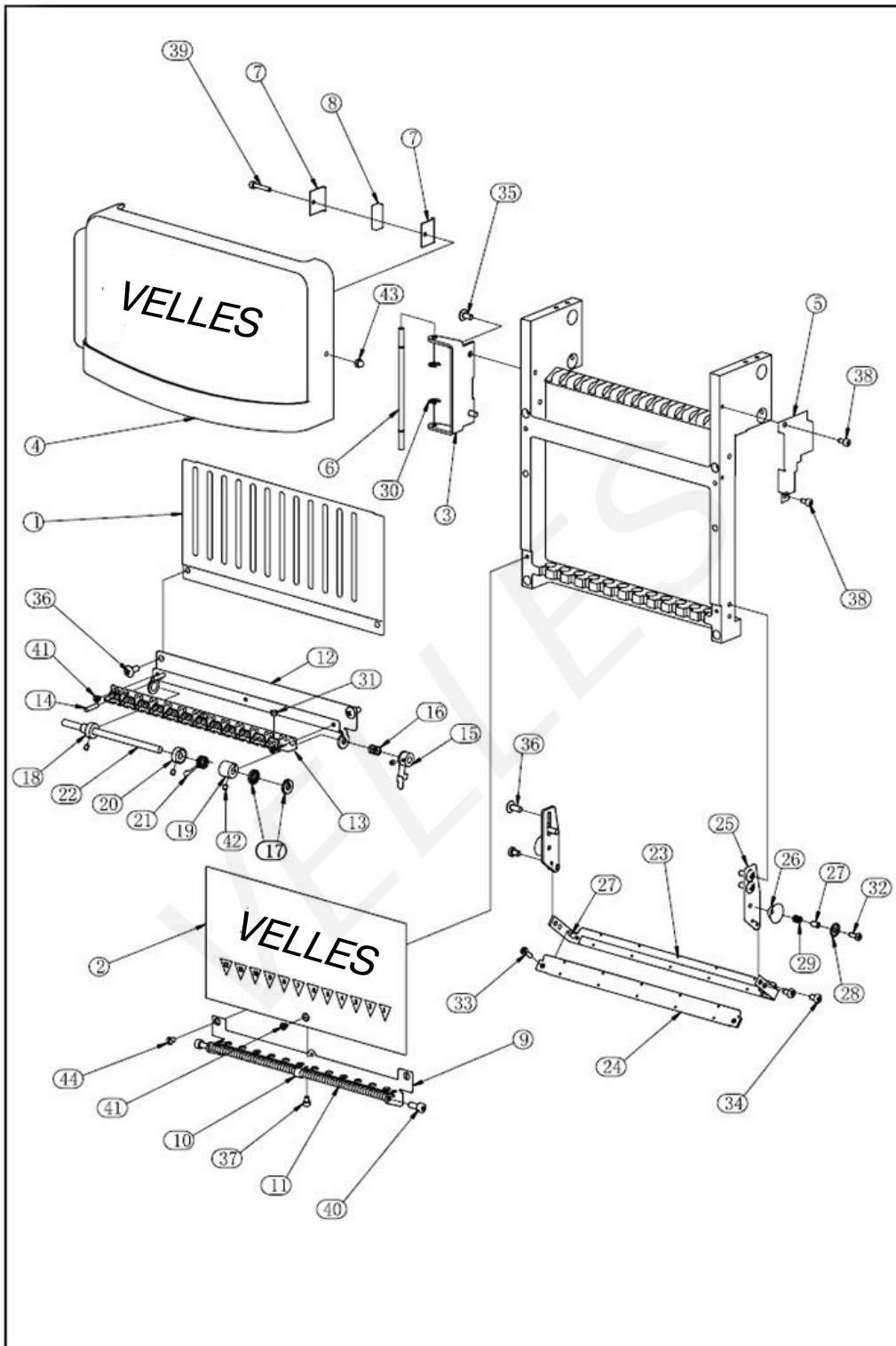
11. 针杆架A NEEDLE CASE A



11. 针杆架 A NEEDLE CASE A

NO.	名称	PARTS NAME	REMARK
1	挑线杆轴	take-up lever shaft	
2	橡胶垫	rubber cushion	
3	毛毡垫	felt packing	
4	针杆螺丝	needle bar screw	
5	缓冲圈	baffle ring	
6	针夹螺丝	needle clamp screw	
7	针夹	needle clamp	
8	上死点夹头	upper dead point clamp	
9	针杆连接销	needle bar connecting pin	
10	磁铁	magnet	
11	针杆	needle bar	
12	针杆弹簧	needle bar spring	
13	压脚	presser foot	
14	压脚套	presser foot bushing	
15	压脚弹簧	presser foot spring	
16	针杆架	needle case	
17	下导轨	lower guide rail	
18	垫块	cushion	
19	换色板	color change plate	
20	针杆导向板	needle bar guide	
21	挑线杆塑料块	take-up lever plastic block	
22	挑线杆定位块	take-up lever positioning block	
23	定位块弹簧	positioning block torsion spring	
24	挑线杆	take-up lever	
25	挑线轴挡块	take-up shaft block	
26	机针	needle	
27	圆柱销	pin	
28	螺丝	screw	
...	
33	螺丝	screw	

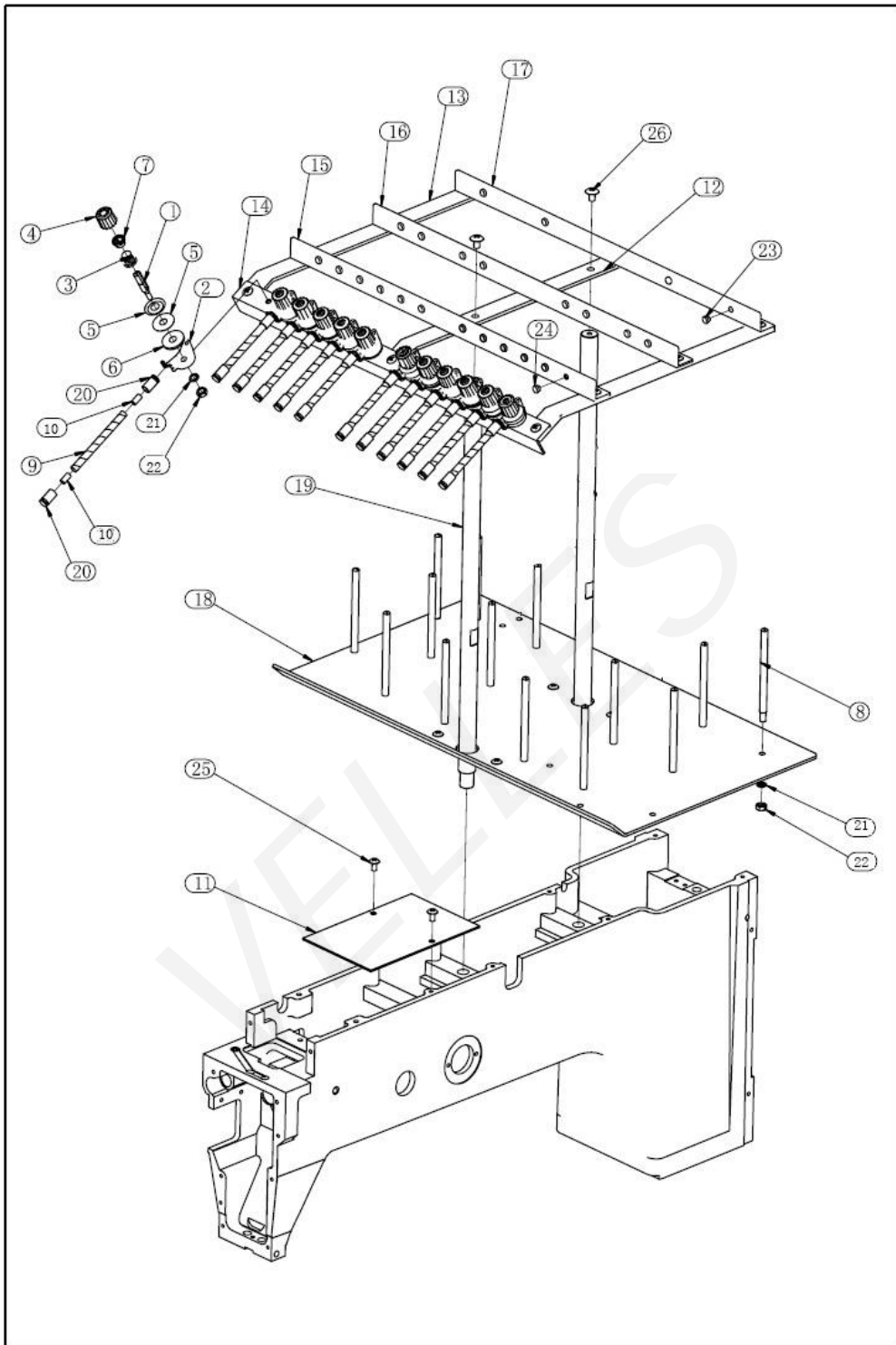
12.针杆架B NEEDLE CASE B



12. 针杆架 B NEEDLE BAR CASE B

NO.	名称	PARTS NAME	REMARK
1	上面板	upper face plate	
2	前面板	front face plate	
3	罩壳支架	cover support	
4	塑料前罩	plastic front cover	
5	磁铁座	magnet base	
6	连接轴	connecting shaft	
7	磁铁夹板	magnet clamp	
8	磁铁	magnet	
9	下过线	lower thread course	
10	弹簧托架	spring bracket	
11	下过线弹簧	lower thread spring	
12	中过线座	middle thread course base	
13	滚柱架	roller stand	
14	中过线销	middle thread course pin	
15	张力扳手	tension wrench	
16	弹簧	spring	
17	齿形垫圈	bevel cushion	
18	轴套	shaft collar	
19	挑线簧套	take-up spring collar	
20	挑线簧挡圈	take-up spring baffle	
21	挑线弹簧	take-up spring	
22	中过线轴	middle thread course shaft	
23	面线夹座	face thread clamp base	
24	面线夹压板	face thread clamp plate	
25	面线夹支架	face thread clamp bracket	
26	挂线挡圈	thread suspender disk	
27	挂线盘	thread suspender baffle	
28	挂线弹簧块	thread suspender spring presser	
29	挂线弹簧	thread suspender spring	
30	卡簧	E-ring	
31	瓷套	porcelain bushing	
32	螺丝	screw	
...	
33	螺丝	screw	

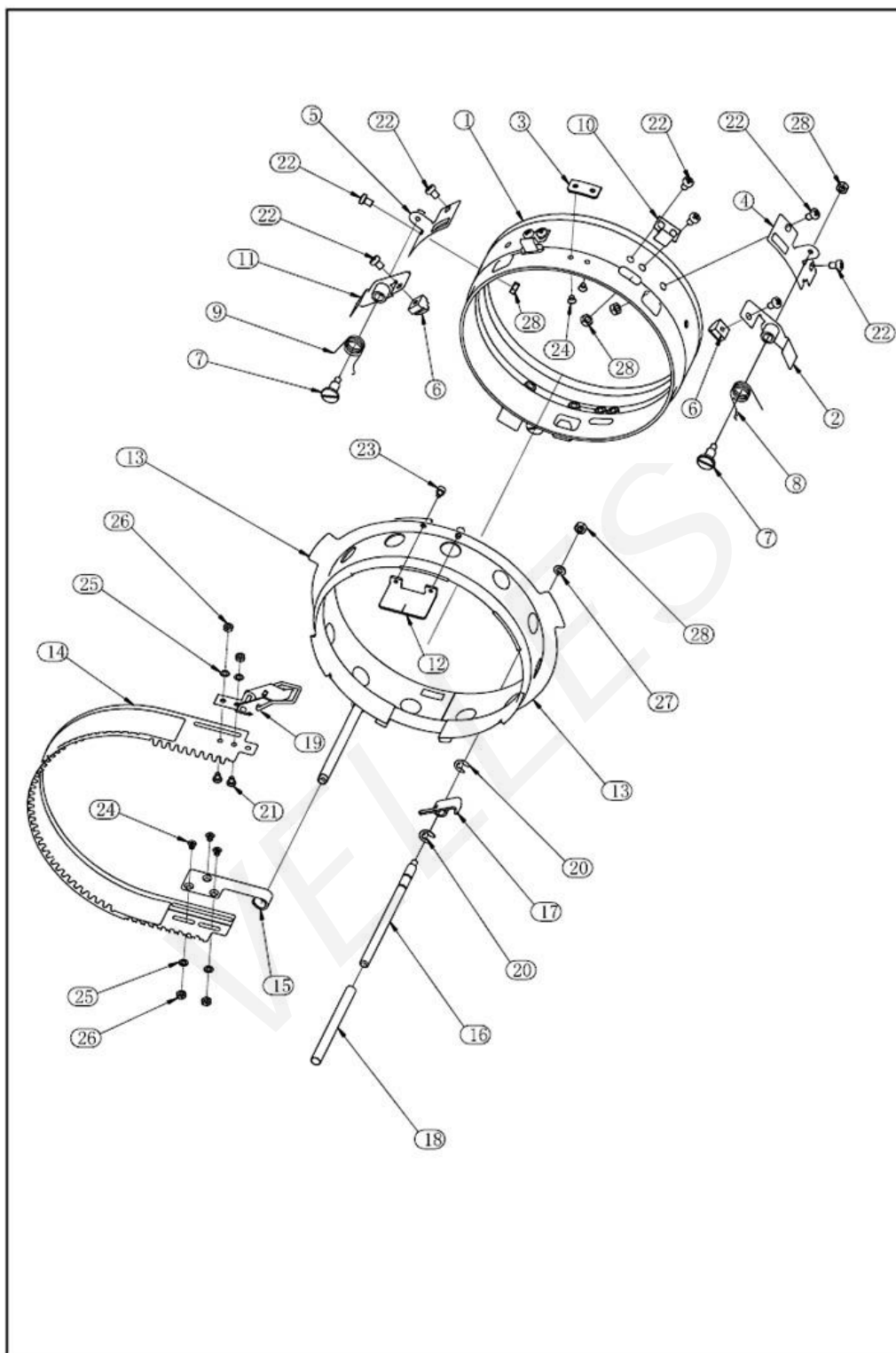
13. 线架 THREAD STAND



13. 线架 THREAD STAND

NO.	名称	PARTS NAME	REMARK
1	夹线螺栓	tension bolt	
2	引线板	thread lead plate	
3	夹线弹簧	tension spring	
4	夹线调节器	tension regulator	
5	夹线板	tension plate	
6	毛毡垫	felt packing	
7	防松垫圈	tension gasket	
8	线盘螺钉	coil bolt	
9	过线软管	thread course hose	
10	软管接头芯	hose joint core	
11	上盖板	upper cover	
12	托架 A	support A	
13	托架 B	support A	
14	线架 A	thread stand A	
15	线架 B	thread stand B	
16	线架 C	thread stand C	
17	线架 D	thread stand D	
18	线盘	coil	
19	立柱	stand	
20	软管接头	hose joint	
21	弹簧垫片	spring spacer	
22	螺母	nut	
23	白瓷套	white porcelain bushing	
24	白瓷套	white porcelain bushing	
25	螺丝	screw	
26	螺丝	screw	
27	螺丝	screw	

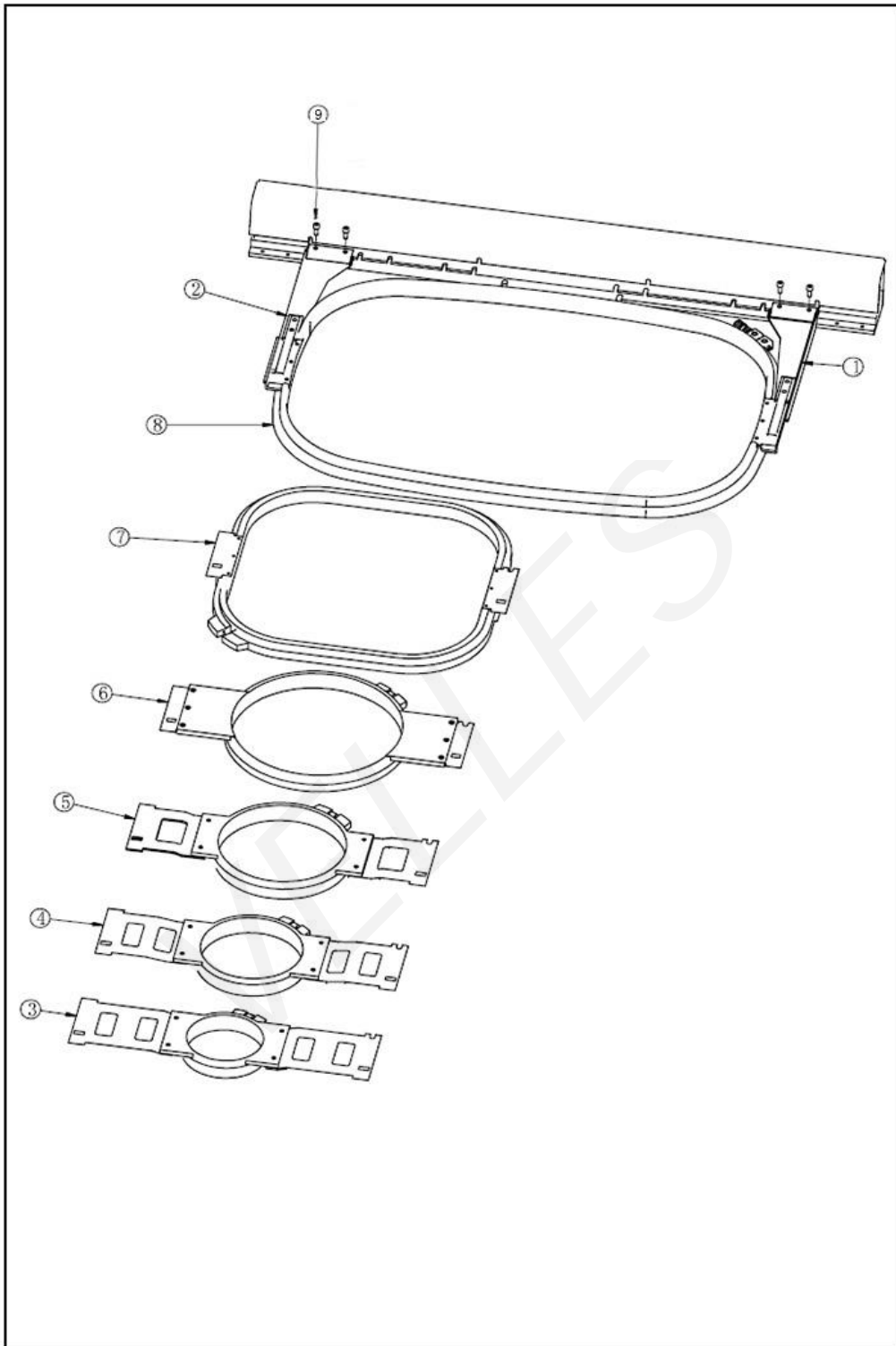
14. 帽架框 CAP STAND FRAME



14. 帽框架 CAP STAND FRAME

NO.	名称	PARTS NAME	REMARK
1	帽筒	cap casing	
2	夹头 A	collet A	
3	定位块	position block	
4	卡头基座 A	clamp base A	
5	卡头基座 B	clamp base B	
6	卡头	clamp	
7	螺丝	screw	
8	夹头弹簧 A	collet spring A	
9	夹头弹簧 B	collet spring B	
10	弹片	shrapnel	
11	夹头 B	collet B	
12	定位块	positioning block	
13	帽夹圈	clamp ring	
14	帽扎条	cap strapping rod	
15	帽扎头	cap strapping nob	
16	帽夹支杆	cap clamp bracket	
17	锁头勾	tapered end hook	
18	橡胶套	rubber bushing	
19	锁头	tapered end	
20	卡簧	E-ring	
21	螺丝	screw	
22	螺丝	screw	
23	螺丝	screw	
24	螺丝	screw	
25	螺丝	screw	
26	螺母	nut	
27	平垫	plain washer	
28	螺母	nut	

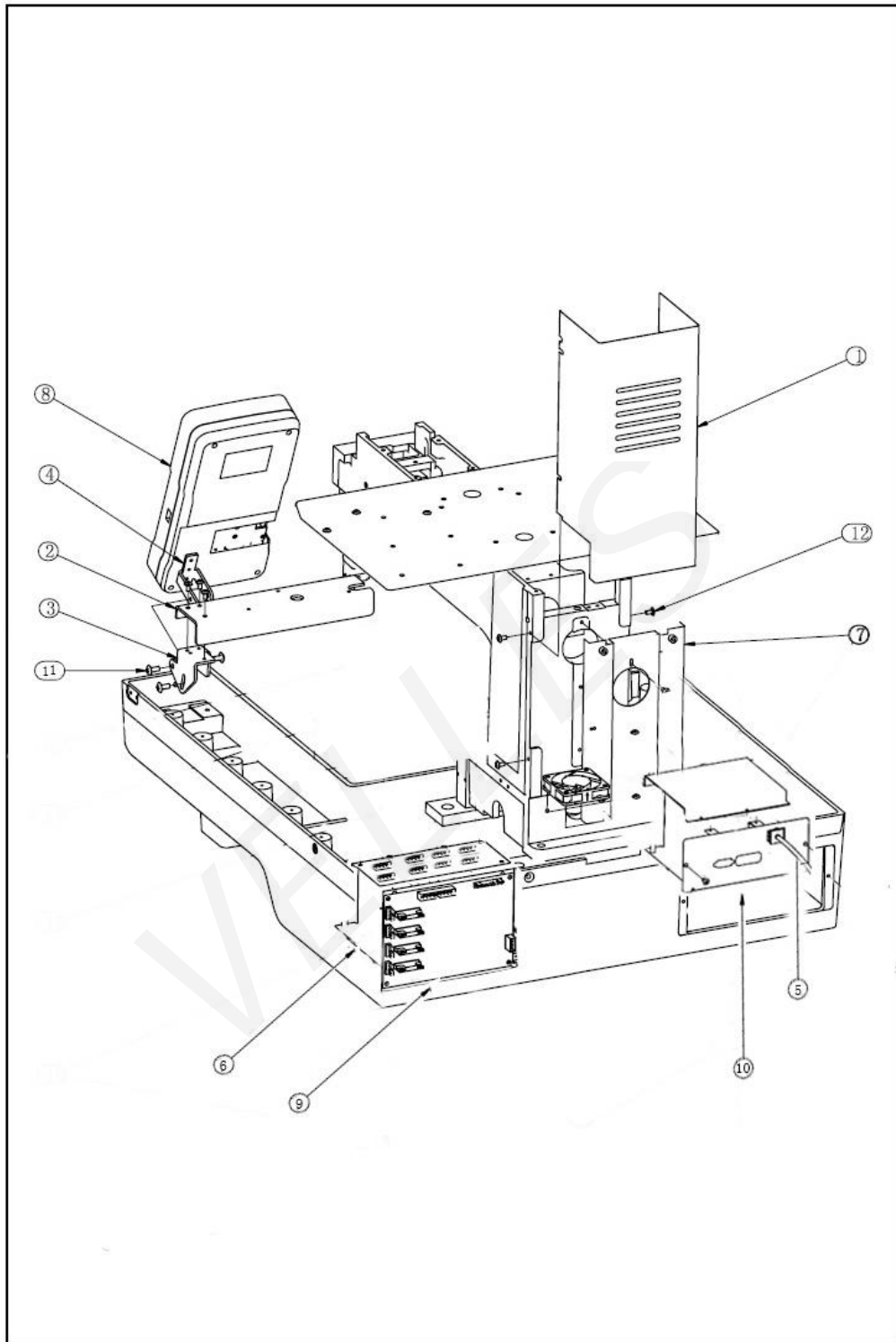
15. 绣框 FRAME



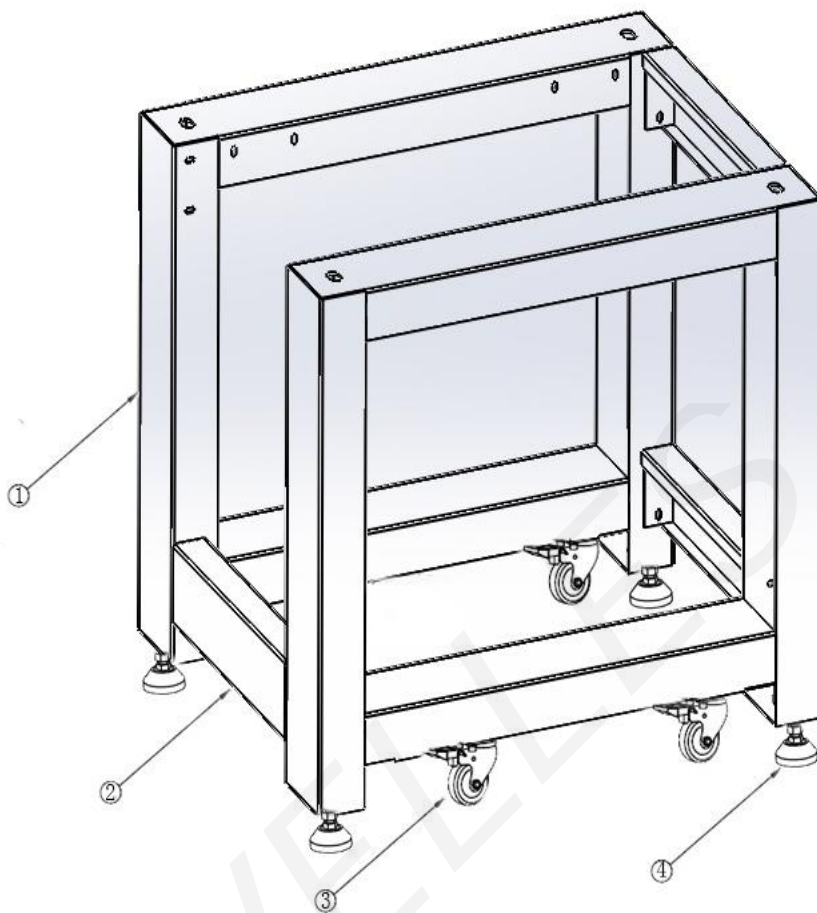
15. 绣框 FRAME

NO.	名称	PARTS NAME	REMARK
1	绣框支架-右	frame bracket-R	
2	绣框支架-左	frame bracket-L	
3	圆绣框-90	round frame-90	
4	圆绣框-120	round frame-120	
5	圆绣框-170	round frame-170	
6	圆绣框-200	round frame-200	
7	方绣框-295x295	rectangle frame-295x295	
8	方绣框-545x375	rectangle frame-545x375	
9	螺丝	screw	

16. 电气 ELECTRICAL PART



17. 机架 RACK



17. 机架 RACK

NO.	名称	PARTS NAME	REMARK
1	机架	rack	
2	机架梁	rack beam	
3	固定脚轮	fixed truckle	
4	调整支脚	adjustment support arm	