

20.规格
20.SPECIFICATIONS

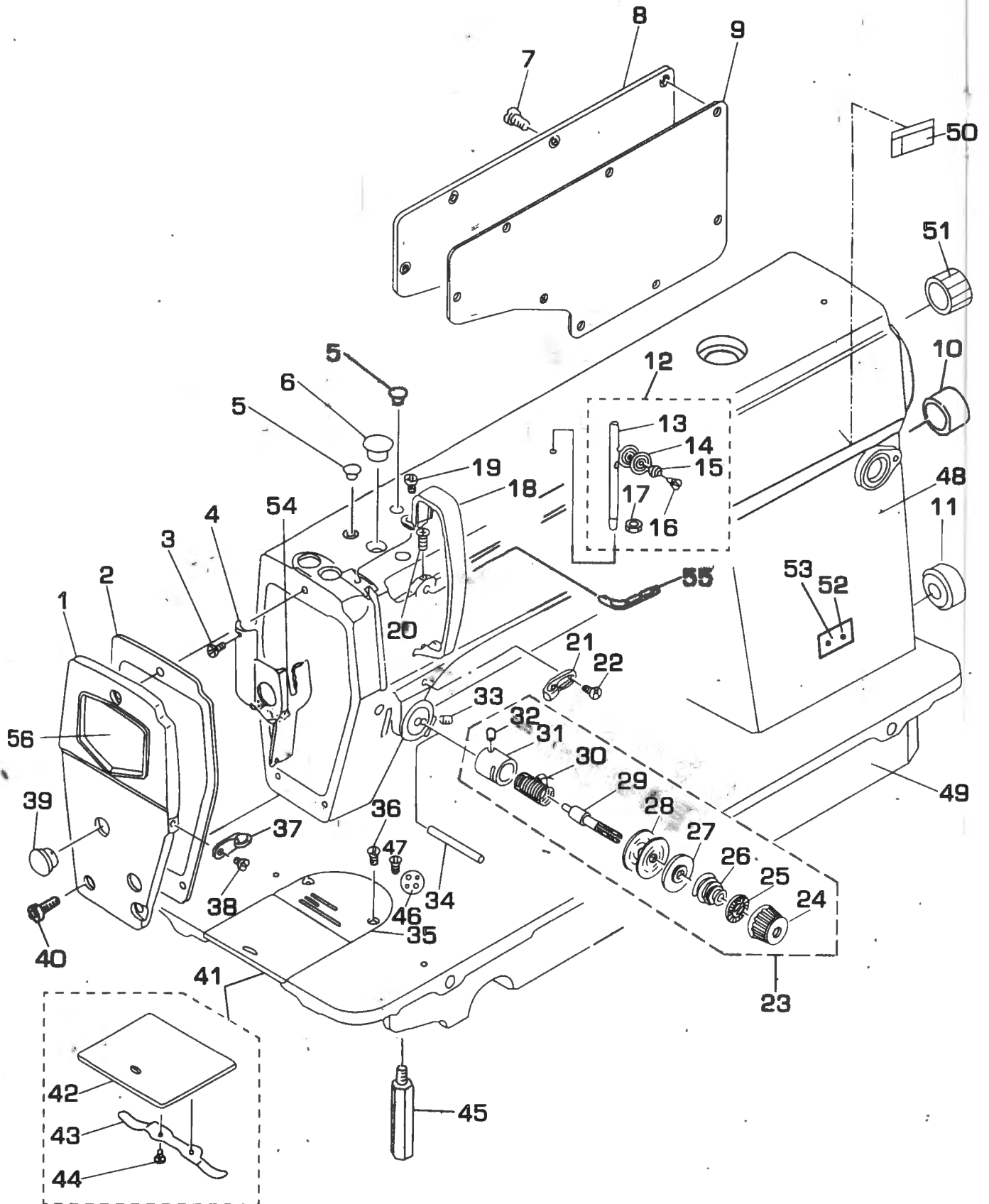
缝料 Application		中厚料 For medium-weight materials	厚料 For heavy-weight materials	大旋梭厚料 For over heavy-weight materials
缝速 Sewing speed (max)		5000RPM	3500RPM	3500RPM
最大针距 Stitch length (max)		5	8	8
针距行程 Needle bar store		30.7	35	35
压脚升程 Presser foot lifter	手提 Hand lifter	5.5	7	7
	膝提 Knee lifter	13	13	13
机针 Needle		DB X 1 14 #	DB X 1 21 #	DB X 1 21 #
润滑油 Lubricating		10 # 白油(oil)		
电机功率 Motor power		370W		

- (1) 马达使用标准输出370W (1/2 马力) 的离合马达。
 (2) 皮带使用M型V形皮带。
 (3) 马达皮带轮和皮带、缝纫机的转速关系如下表所示。
 (1) A clutch motor with 370W output (1/2 HP) is used as the standard motor.
 (2) An M-type V belt should be used.
 (3) The relationship between the motor pulleys, belt lengths and sewing speeds is shown in the following table:

马达皮带轮的外径 Motor pulley O.D. (mm)	皮带轮货号 Motor pulley part No.	转 速 Sewing speed (s.p.m.)		皮带长度 (英寸) Belt length (in.)	皮带货号 Belt part No.
		50 Hz	60 Hz		
125	MTKP0120000	5,060		44"	MTJVM004400
120	MTKP0115000	4,850		43"	MTJVM004300
115	MTKP0110000	4,630			
110	MTKP0105000	4,440			
105	MTKP0100000	4,250	5,040	42"	MTJVM004200
100	MTKP0095000	4,000	4,780		
95	MTKP0090000	3,820	4,540		
90	MTKP0085000	3,610 *	4,320		
85	MTKP0080000	3,390 *	4,000	41"	MTJVM004100
80	MTKP0075000	3,160 *	3,790		
75	MTKP0070000	2,950 *	3,520 *		
70	MTKP0065000	2,740 *	3,260 *		

- 马达皮带轮的有效直径为外径减5mm。
- 马达的转动方向从皮带轮侧看为逆时针。请注意不要让缝纫机反转。
- The effective diameter of a motor pulley is equivalent to the outside diameter minus 5 mm.
- The motor should rotate counterclockwise as observed from the handwheel side. Be careful not to allow the motor to rotate in the reverse direction.

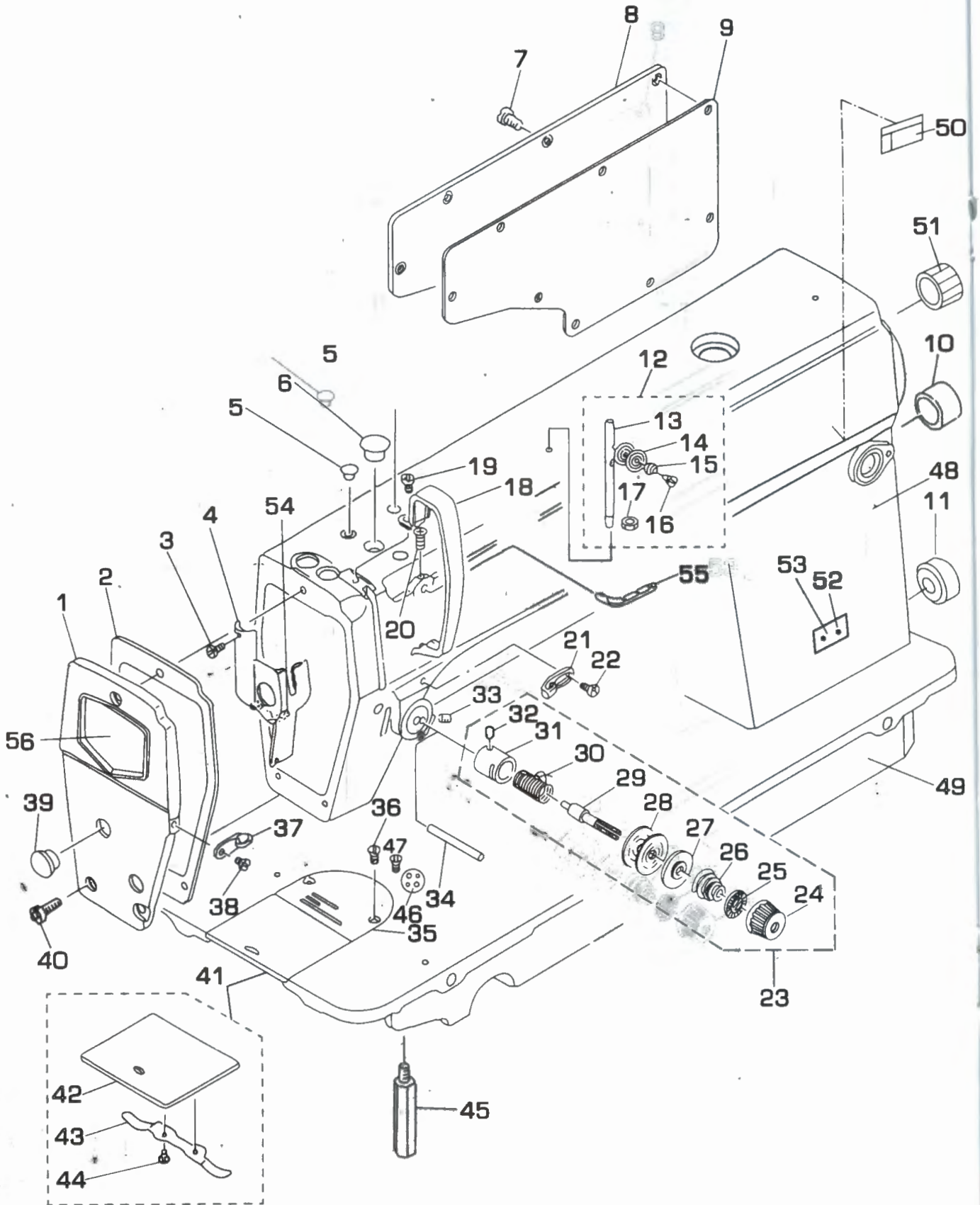
1. 机壳分组件 ARM BED COMPONENTS



一、机壳分组件 (ARM BED COMPONENTS)

序号 NO.	图号	名称	DESCRIPTION	数量(AMT)		
	REF NO.			M	H	B
1	101.01-07	面板(方、圆)	FACE PLATE ARM	1	1	1
2	101.01-09	面板垫(方、圆)	BRAND PLATE GASKET	1	1	1
3	11-60080420-01	面部防油板螺钉	SCREW SM1/8×44 L=4	1		
	11-60080320-01	面部防油板螺钉	SCREW SM1/8×44 L=2.5		1	1
4	101.08-34	面部防油板	ARM OIL SHIELD ASM	1		
	101.08-34XH	面部防油板	ARM OIL SHIELD ASM.		1	1
5	101.01-12	挑线连杆销螺孔塞	RUBBER PLUG	2	2	2
6	101.01-11	针杆曲柄螺孔塞	RUBBER PLUG	1	1	1
7	11-40120925-01	后窗板螺钉	SCREW SM3/16×28 L=9	8	8	8
8	101.01-04	后窗板	SIDE PALTE	1	1	1
9	101.01-05	后窗板垫	SIDE PALTE GASKET	1	1	1
10	101.01-02	送料调节器孔塞	RUBBER PLUG	1	1	1
11	101.01-03	下轴孔工艺孔塞	RUBBER PLUG	1	1	1
12	101.03-34	小夹线器组件	NEEDLE THREAD GUIDE PIN ASM	1	1	1
13	101.03-35	过线柱	NEEDLE THREAD GUIDE PIN	(1)	(1)	(1)
14	101.03-36	过线夹线板	TENSION DISC	(2)	(2)	(2)
15	101.03-37	过线夹线簧	TENSION SPRING	(1)	(1)	(1)
16	101.03-38	过线夹线螺钉	HINGE SCREW SM3/32×56 L=4	(1)	(1)	(1)
17	13-60124020-02	过线柱螺母	NUT SM3/16×28	(1)	(1)	(1)
18	101.02-29	挑线杆护罩	THREAD TAKE-UP LEVER COVER	1	1	1
19	11-40120625-01	挑线杆护罩螺钉	SCREW SM3/16×28 L=6	1	1	1
20	11-40120625-01	二眼线勾螺钉	SCREW SM3/16×28 L=6	1	1	1
21	101.03-16	右线勾	ARM THREAD GUIDE A	1	1	1
22	11-70110620-02	右线勾螺钉	SCREW SM11/64×40 L=6	1	1	1
23	101.03-19-00	夹线器组件	PRE-TENSION ASSY	1		
	101.03-19-00XH	夹线器组件	PRE-TENSION ASSY		1	1
24	101.03-28	夹线器螺母	TENSION NUT	(1)	(1)	(1)
25	101.03-27	夹线制动板	TENSION DISC STOPPET	(1)	(1)	(1)
26	101.03-26	夹线簧	TENSION SPRING	(1)		
	101.03-26XH	夹线弹簧	TENSION SPRING		(1)	(1)
27	101.03-25	松线板	TENSION DISC HOLDER	(1)	(1)	(1)
28	101.03-24	夹线板	TENSION DISC	(2)	(2)	(2)
29	101.03-21	夹线螺钉(柱)	TENSION POST	(1)	(1)	(1)
30	101.03-20	挑线簧	TAKE-UP SPRING	(1)	(1)	(1)
31	101.03-19-01	挑线簧调节座	TENSION POST SOCKET	(1)	(1)	(1)
32	11-80090610-01	夹线座紧固螺钉	SCREW SM9/64×40 L=5.5	(1)	(1)	(1)
33	11-80150710-01	夹线器螺钉	SCREW SM15/64X28 L=7	1	1	1
34	101.03-23	松线钉	THREAD RELEASE PIN	1	1	1
35	101.06-36	针板	THROAT PLATE	1		
	101.06-36XH	针板	THROAT PLATE		1	
	120.01-22	针板	THROAT PLATE			1
36	11-20110920-02	针板螺钉	SCREW SM11/64×40 L=8.5	2	2	2
37	101.03-18	左线勾	ARM THREAD GUIDE B	1	1	1
38	11-70110620-02	左线勾螺钉	SCREW SM11/64×40 L=6	1	1	1
39	101.01-10	面板调节螺孔塞	RUBBER PLUG	2	2	2
40	11-40120925-01	面板螺钉	SCREW SM3/16×28 L=9	3	3	3
41	101.06-39	推板组件	BED SLIDE ASM	1	1	1
42	101.06-39-1	推板	SLIDE PLATE	(1)	(1)	(1)
43	101.06 40	推板簧	SLIDE PLATE SPRING	(1)	(1)	(1)

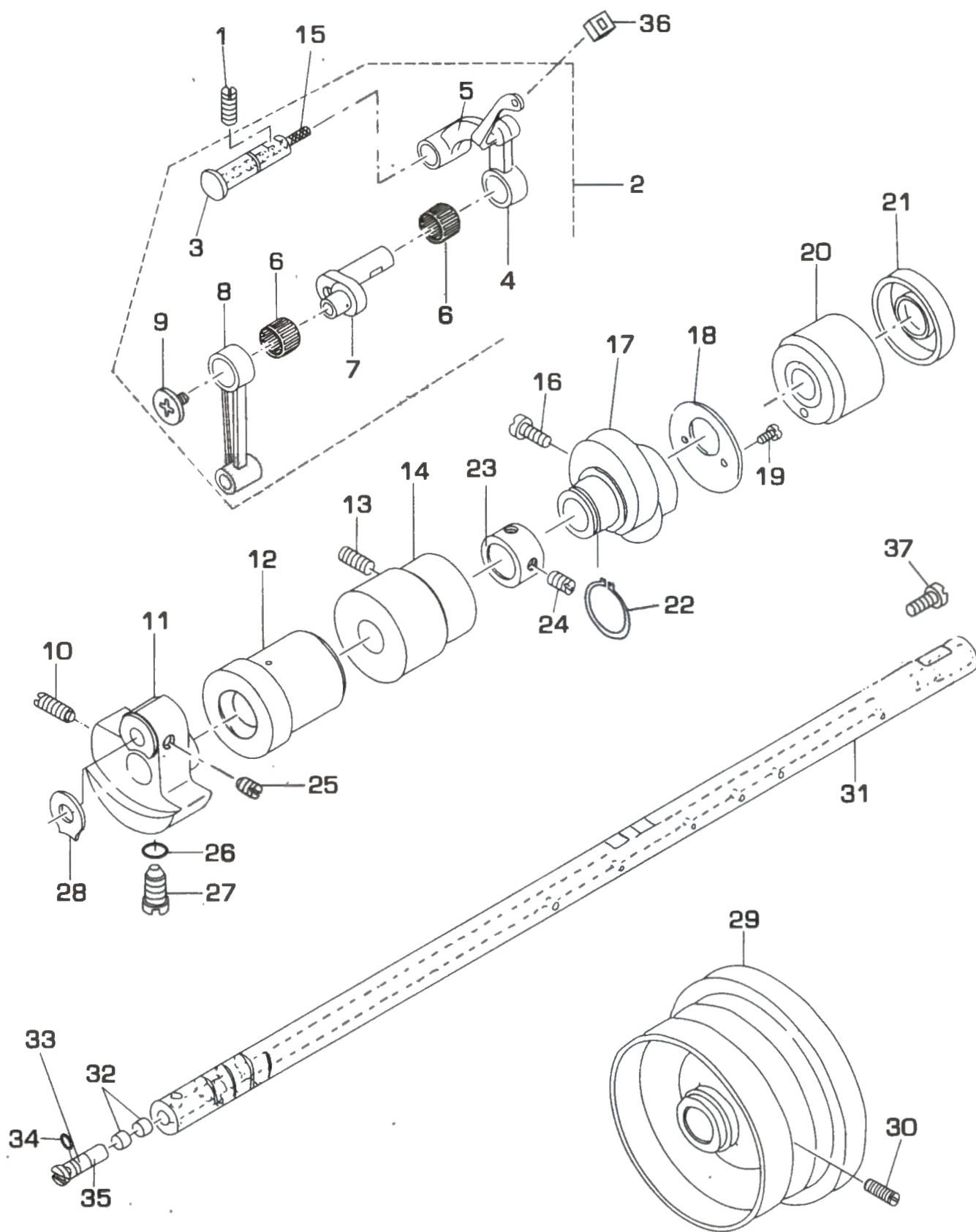
1. 机壳分组件 ARM BED COMPONENTS



一、机壳分组件 (ARM BED COMPONENTS)

序号 NO.	图号	名称	DESCRIPTION	数量(AMT)		
	REF NO.			M	H	B
44	11-60060220-01	推板簧螺钉	SCREW SM3/32X56 L=1.9	(2)	(2)	(2)
45	101.01-15	底板支座	BED SCREW STUD SM15/64×28	4	4	4
46	101.01-17	安装板	CONNECTING ROD	1	1	1
47	11-00110520-01	安装板定位螺钉	SCREW SM11/64X40 L=5.5	2	2	2
48	101.01-01-02	机壳	ARM	1	1	1
49	101.01-01-01	底板	BED	1	1	
	101.01-01-01XH	底板	BED			1
50	44-00000001-00	安全指示牌	SAFETY-INDICATING PLATE	1	1	1
51	101.12-23	上轴保护套	MAIN SHAFT BUSHING	1	1	1
52	101.01-14	型号牌铆钉	MODEL PLATE RIVET	2	2	2
53	101.01-13	型号牌	MODEL PLATE	1		
	101.01-13H	型号牌	MODEL PLATE		1	
	101.01-13XH	型号牌	MODEL PLATE			1
54	43-10250000-00	面部防油板油线Φ2.5×75mm	OIL WICK	0.075	0.075	0.075
55	101.03-14	二眼线勾	TWO-HOLE THREAD EYELET	1	1	1
56	101.01-08	商标牌	BRAND PLATE	1	1	1

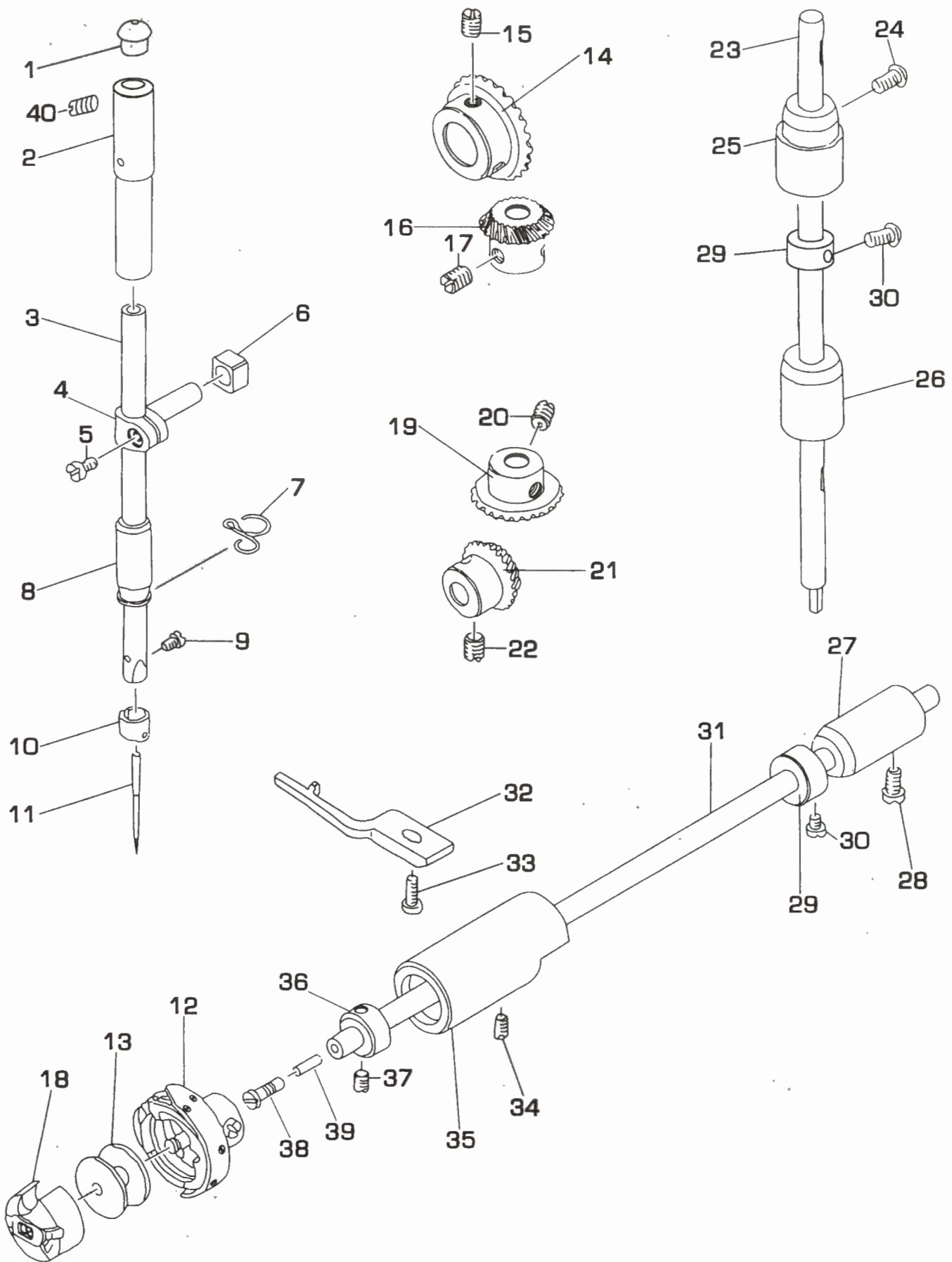
2. 上轴及挑线杆分组件 MAIN SHAFT & THREAD TAKE-UP LEVER COMPONENTS



二、上轴及挑线杆分组件(MAIN SHAFT & THREAD TAKE-UP LEVER COMPONENTS)

序号 NO.	图号	名称	DESCRIPTION	数量(AMT)		
	REF NO.			M	H	B
1	11-80151150-01	挑线连杆销螺钉	SCREW SM15/64X28 L=10.5	1	1	1
2	101.02-22	挑线杆组件(大)	THREAD TAKE-UP LEVER ASM	1		
	101.02-22XH	挑线杆组件(大)	THREAD TAKE-UP LEVER ASM		1	1
3	101.02-25	挑线连杆销	THREAD TAKE-UP LEVER PIN	(1)	(1)	(1)
4	101.02-22-00	挑线杆组件	THREAD TAKE-UP LEVER ASM	(1)		
	101.02-22-00XH	挑线杆组件	THREAD TAKE-UP LEVER ASM		(1)	(1)
5	101.02-22-05	挑线连杆	THREAD TAKE-UP CRANK ROD	(1)		
	101.02-32XH	挑线连杆	THREAD TAKE-UP CRANK ROD		(1)	(1)
6	101.02-24	滚针轴承	NEEDLE BEARING B	(2)	(2)	(2)
7	101.02-20-00	挑线曲柄组件	NEEDLE BAR CRANK ASM	(1)		
	101.02-20-00XH	挑线曲柄组件	NEEDLE BAR CRANK ASM		(1)	(1)
8	101.03-01	针杆连杆	NEEDLE BAR CRANK ROD	(1)	(1)	(1)
9	101.02-28	挑线曲柄左旋螺钉	END SCREW LEFT SM9/64×40 左	(1)	(1)	(1)
10	11-80181650-01	针杆曲柄紧固螺钉	SCREW SM9/32×28 L=16	1	1	1
11	101.02-15	针杆曲柄	COUNTERWEIGHT	1	1	1
12	101.02-10	上轴前轴套组件	MAIN SHAFT BUSHING FRONT ASM	1	1	1
13	11-80150710-01	上轴中轴套螺钉	SCREW SM15/64×28 L=7	1	1	1
14	101.02-08	上轴中轴套	MAIN SHAFT BUSHING INTERMEDIATE	1	1	1
15	43-20300000-00	挑线连杆销油线 φ3×50	OIL WICK	0.05	0.05	0.05
16	11-00161120-01	送料偏心轮螺钉	SCREW SM1/4×40 L=11	2	2	2
17	101.06-02	送料偏心轮	FEED DRIVE ECCENTRIC CAM	1		
	101.06-02XH	送料偏心轮	FEED DRIVE ECCENTRIC CAM		1	1
18	101.06-04	送料偏心轮盖板	FEED DRIVE ECCENTRIC COVER	1		
	101.06-04XH	送料偏心轮盖板	FEED DRIVE ECCENTRIC COVER		1	1
19	11-60090620-01	送料偏心轮盖板螺钉	SCREW SM9/64×40 L=6	2	2	2
20	101.02-05	上轴后轴套组件	MAIN SHAFT BUSHING BEAR ASM	1	1	1
21	32-14170360-09	上轴油封	OIL SEAL	1	1	1
22	25-20000000-08	拾牙连杆轴用挡圈	SNAP RING 18.5	1	1	1
23	101.02-06	上轴挡圈	THRUST COLLAR D=14.72 W=12	1	1	1
24	11-80160610-01	上轴挡圈螺钉	SCREW SM1/4×40 L=6	2	2	2
25	11-80160610-01	针杆曲柄螺钉	SCREW SM1/4×40 L=6	2	2	2
26	31-04424000-09	定位螺钉O形圈	RUBBER RING	1	1	1
27	11-60181630-01	针杆曲柄定位螺钉	SCREW SM9/32×28 L=6	1	1	1
28	101.02-19	针杆曲柄护板	COUNTERWEIGHT PROTECTING PLATE	1	1	1
29	101.02-01	上轮	HAND WHEEL	1	1	1
30	11-80151550-01	上轮螺钉	SCREW SM15/64×28 L=15	2	2	2
31	101.02-03	上轴	MAIN SHAFT	1	1	1
32	43-20650000-00	曲柄油量限制垫	ROLLER FELT	2	2	2
33	101.02-12	曲柄油量调节销	OIL AMOUNT ADJUSTING PIN	1	1	1
34	31-02818000-09	曲柄油量调节销O形圈	RUBBER RING	1	1	1
35	101.02-13	曲柄油量调节销套	SLEEVE OF OIL AMOUNT ADJUSTING PIN	1	1	1
36	101.02-23	挑线杆防油套	RUBBER	1	1	1
37	11-70201520-01	上轴后螺钉	SCREW SM5/16×24 L=15	1	1	1

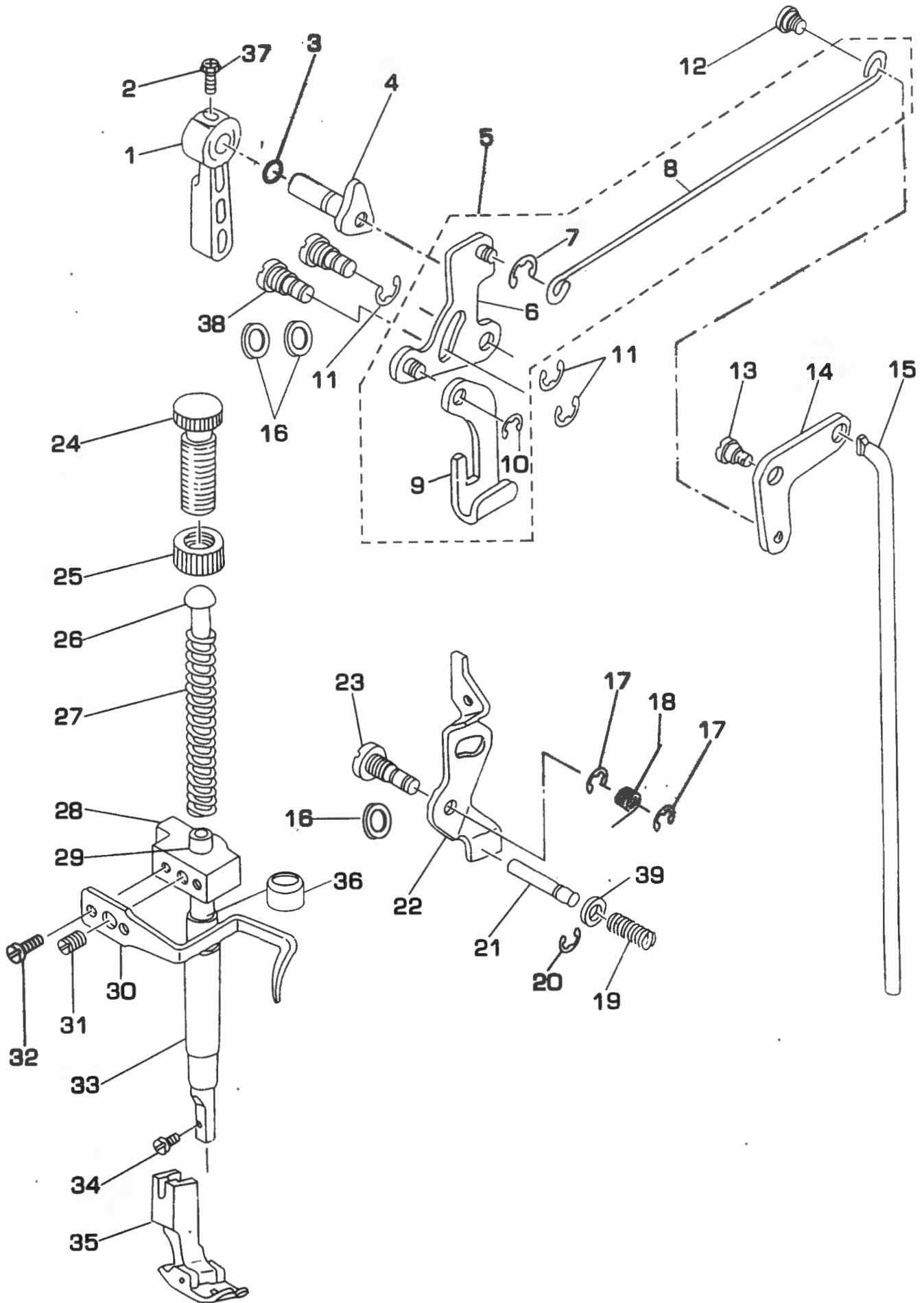
3. 针杆、传动轴分组件 NEEDLE BAR & HOOK DRIVING SHAFT COMPONENTS



三、针杆、传动轴分组件(NEEDL BAR & HOOK DRIVING SHAFT COMPONENTS)

序号 NO.	图号 REF NO.	名称	DESCRIPTION	数量(AMT)		
				M	H	B
1	101.03-07	针杆上衬套孔塞	RUBBER PLUG	1	1	1
2	101.03-06	针杆上衬套	NEEDLE BAR BUSHING RPPER	1	1	1
3	101.03-10	针杆	NEEDLE BAR	1		
	101.03-10XH	针杆	NEEDLE BAR		1	1
4	101.03-03	针杆连接柱组件	NEEDLE BAR CONNECTION ASM.	1	1	1
5	11-60090620-01	针杆连接柱螺钉	SCREW SM9/64×40 L=6	1	1	1
6	101.03-05	针杆连接柱滑块	SLIDE BLOCK	1	1	1
7	101.03-09	针杆下轴套线勾	NEEDLE BAR THREAD GUIDE	1		
	101.03-09XH	针杆下轴套线勾	NEEDLE BAR THREAD GUIDE		1	1
8	101.03-08	针杆下轴套	NEEDLE BAR BUSHING LOWER	1		
	101.03-08XH	针杆下轴套	NEEDLE BAR BUSHING LOWER		1	1
9	11-60080520-02	支针螺钉	SCREW SM1/8×44 L=5	1	1	1
10	101.03-11	针杆过线环	NEEDLE BAR THREAD GUIDE	1		
	101.03-11XH	针杆过线环	NEEDLE BAR THREAD GUIDE		1	1
11	101.03-13	机针 DB×1 #14	NEEDLE DB×1 #14	1		
	101.03-13XH	机针 DB×1 #21	NEEDLE DB×1 #21		1	1
12	101.05-01	旋梭组件	HOOK ASM	1		
	115.05-17	旋梭组件	HOOK ASM		1	
	120.02-68	旋梭组件	HOOK ASM			1
13	101.05-03	梭心	BOBBIN	1	1	
	120.02-72	梭心	BOBBIN			1
14	101.05-26	上轴伞齿轮	GEAR ASM	1	1	1
15	11-80160810-01	伞齿轮螺钉	SCREW SM1/4×40 L=8	2	2	2
16	101.05-25	竖轴上伞齿轮	PONION ASM	1	1	1
17	11-80160810-01	伞齿轮螺钉	SCREW SM1/4×40 L=8	2	2	2
18	101.05-02	梭心套	BOBBIN CASE ASM	1	1	
	120.02-71	梭心套	BOBBIN CASE ASM			1
19	101.05-20	竖轴下伞齿轮	GEAR ASM LARGE	1	1	1
20	11-80160810-01	伞齿轮螺钉	SCREW SM1/4×40 L=8	2	2	2
21	101.05-18	下轴伞齿轮	PINION ASM	1	1	1
22	11-80160810-01	伞齿轮螺钉	SCREW SM1/4×40 L=8	2	2	2
23	101.05-24	竖轴	UPRIGHT SHAFT	1	1	1
24	11-40120925-01	竖轴上轴套螺钉	SCREW SM3/16X28 L=9	1	1	1
25	101.05-22	竖轴上轴套	UPRIGHT SHAFT BUSHING UPPER	1	1	1
26	101.05-21	竖轴下轴套	UPRIGHT SHAFT BUSHING LOWER	1	1	1
27	101.05-14	下轴后轴套	HOK DRIVING SHAFT BUSHING REAR	1	1	1
28	11-60121220-01	下轴后轴套螺钉	SCREW SM3/16×28 L=9	1	1	1
29	101.05-16	下轴挡油圈	THRUST COLLAR ASM D=7.94 W=10	2	2	2
30	11-00110520-01	下轴挡油圈螺钉	SCREW SM11/64×40 L=4.8	4	4	4
31	101.05-07	下轴	HOOK DRIVING SHAFT	1	1	1
32	101.05-05	旋梭定位钩	POSITIONING FINGER	1	1	
	120.02-69	旋梭定位钩	POSITIONING FINGER			1
33	11-60111020-01	旋梭定位钩螺钉	SCREW SM11/64×40 L=10	1	1	1
34	11-80150510-01	下轴前轴套螺钉	SCREW SM15/64×28 L=5	1	1	1
35	101.05-12	下轴前轴套组件	HOOK DRIVING SHAFT BUSHING ASM ,FRON	1	1	1
36	101.05-10	下轴挡油圈	THRUST COLLAR ASM D=7.94 W=7	1	1	1
37	11-80110410-01	下轴挡油圈螺钉	SCREW SM11/64×40 L=3.5	2	2	2
38	101.05-08	下轴限油螺钉	OIL SEAL SCREW ASM SM3/16×32	1	1	1
39	101.05-09	下轴限油芯	OIL WICK	1	1	1
40	11-80120510-01	针杆上衬套螺钉	SCREW SM3/16X28 L=5	1	1	1

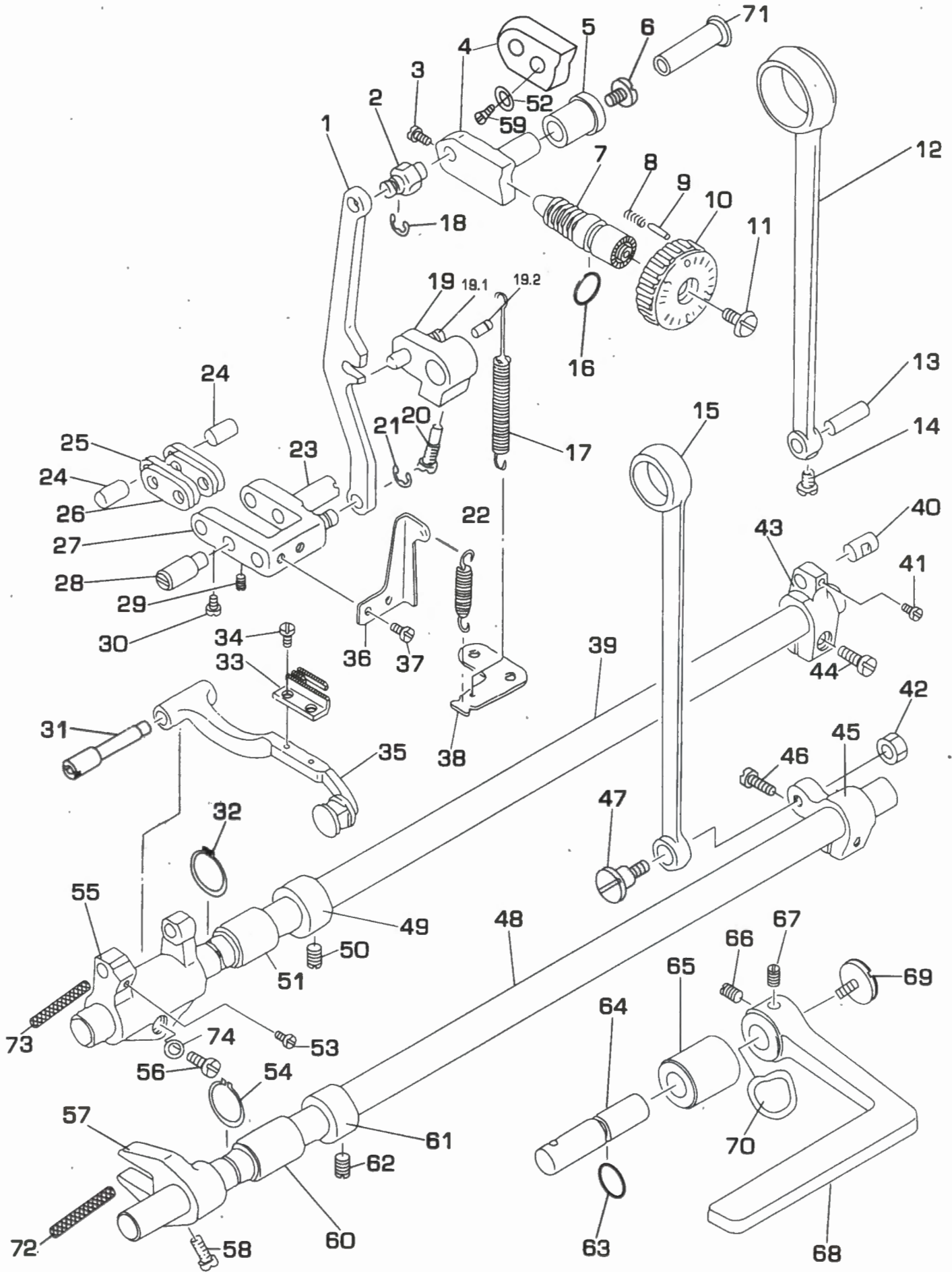
4. 提压脚分组件 HAND LIFTER COMPONENTS



四、提压脚分组件(HAND LIFTER COMPONENTS)

序号 NO.	图号 REF NO.	名称	DESCRIPTION	数量(AMT)		
				M	H	B
1	101.04-13	压脚扳手	HAND LIFTER	1	1	1
2	11-30091020-01	压脚扳手螺钉	SCREW SM9/64×40	1	1	1
3	31-04018000-09	压脚扳手轴O形圈	RUBBER RING	1	1	1
4	101.04-16-00	压脚扳手凸轮组件	HAND LIFTER CAM ASM	1		
	101.04-16-00XH	压脚扳手凸轮组件	HAND LIFTER CAM ASM		1	1
5	101.04-19	抬压脚杠杆部件	HAND LIFTER LINK ASM	1	1	1
6	101.04-19-00	抬压脚前杠杆组件	HAND LIFTER LINK	(1)	(1)	(1)
7	24-05000000-08	开口挡圈	SNAP RING 5	(1)	(1)	(1)
8	101.04-28	抬压脚拉杆	LIFTING LEVER CONNECTING ROD	(1)	(1)	(1)
9	101.04-18	压脚升降板	LIFTING LEVER	(1)	(1)	(1)
10	24-05000000-08	开口挡圈	LIFTING LEVER RING	(1)	(1)	(1)
11	24-05000000-08	开口挡圈	SNAP RING 5	3	3	3
12	101.04-32	抬压脚拉杆螺钉	HINGE SCREW SM3/16×32	1	1	1
13	101.04-31	后杠杆轴位螺钉	HINGE SCREW SM15/64×28	1	1	1
14	101.04-30	抬压脚后杠杆	LIFTING LEVER RING	1	1	1
15	101.04-33	抬压脚顶杆	CONNECTING ROD VERTICAL	1	1	1
16	101.04-21	螺纹销密封垫圈	WASHER PLATE	3	3	3
17	24-05000000-08	开口挡圈	SNAP RING 5	2	2	2
18	101.04-27	松线顶板复位簧	TENSION RELEASE RETURN SPRING	1	1	1
19	101.03-33	松线铺钉弹簧	TENSION RELEASE PIN SPRING	1	1	1
20	24-04000000-08	松线铺钉开口挡圈	SNAP RING 4	1	1	1
21	101.03-30	松线铺钉	TENSION RELEASE SUPPORTING PIN	1	1	1
22	101.04-24	松线顶板	TENSION RELEASE PLATE	1	1	1
23	101.04-25	松线顶板螺纹销	TENSION RELEASE SHAFT SM5/16×24	1	1	1
24	101.04-01	调压螺钉	PRESSER REGULATOR SCREW SM1/2×28	1		
	101.04-01XH	调压螺钉	PRESSER REGULATOR SCREW		1	1
25	101.04-02	调压螺母	PRESSER REGULATOR NUT SM1/2×28	1		
	101.04-02XH	调压螺母	PRESSER REGULATOR NUT SM		1	1
26	101.04-03	调压导杆	PRESSER GUIDE BAR	1	1	1
27	101.04-04	调压簧	PRESSER SPRING	1	1	1
28	101.04-06	压杆导架	PRESSER BAR GUIDE BRACKET	1	1	1
29	101.04-05	压杆	PRESSER BAR	1	1	1
30	101.04-08	缓线调节钩	PRESSER BAR THREAD GUIDE	1	1	1
31	11-80160810-01	压杆导架螺钉	SCREW SM1/4×40 L=8	1	1	1
32	11-60090920-01	缓线调节钩螺钉	SCREW SM9/64×40 L=8.5	2	2	2
33	101.04-10	压杆衬套	PRESSER BAR BUSHING LOWER	1		
	101.04-10XH	压杆衬套	PRESSER BAR BUSHING LOWER		1	1
34	11-60091120-01	活压脚螺钉	SCREW SM9/64×40 L=10.5	1	1	1
35	101.04-11-00	活压脚组件	PRESSER FOOT ASM.	1		
	101.04-11-00XH	活压脚组件	PRESSER FOOT ASM.		1	1
36	101.04-34	压杆轴套锥形防油套	RUBBER BUSHING	1	1	1
37	21-03810080-01	压脚扳手螺钉垫圈	WASHER PLATE	1	1	1
38	101.04-20	前杠杆螺纹销	LINK SHAFT SM5/16×24	2	2	2
39	101.03-32	松线铺钉垫片	WASHER PLATE	1	1	1

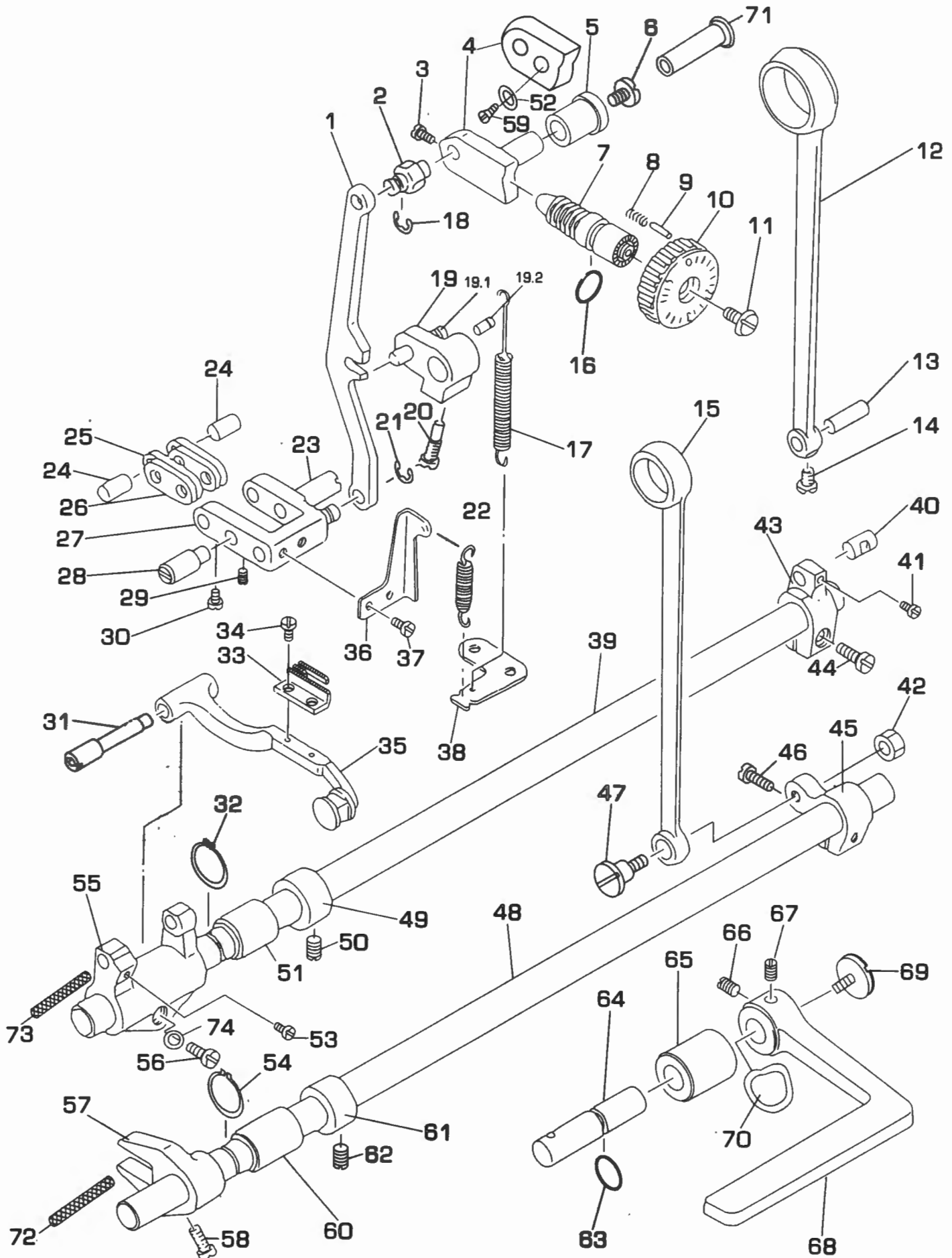
5. 送料分组件 FEED MECHANISM COMPONENTS



五、送料分组件(FEED MECHANISM COMPONENTS)

序号 NO.	图号	名称	DESCRIPTION	数量(AMT)		
	REF NO.			M	H	B
1	101.07-12	倒送料连杆	FEED REGULATOR CONNECTING ROD	1		
	101.07-12XH	倒送料连杆	FEED REGULATOR CONNECTING ROD		1	1
2	101.07-10	倒送料连杆销	FEED REGULATOR PIN	1		
	101.07-10XH	倒送料连杆销	FEED REGULATOR PIN		1	1
3	11-60090620-01	送料连杆销螺钉	SCREW SM9/64×40 L=6	2	2	2
4	101.07-07	送料调节器	FEED REGULATOR	1		
	101.07-07XH	送料调节器	FEED REGULATOR		1	1
5	101.07-08	送料调节器轴套	FEED REGULATR BUSHING	1	1	1
6	101.07-09	送料调节器轴端螺钉	SCREW SM3/16×28	1		
7	101.07-03	送料调节螺柱	FEED REGULATOR SCREW	1	1	1
8	101.07-06	送料距锁合簧	SPRING	1	1	1
9	101.07-05	送料距锁合销	PIN	1	1	1
10	101.07-01	送料距旋钮	FEED DIAL	1		
	101.07-01XH	送料距旋钮	FEED DIAL		1	1
11	11-70121820-01	送料距旋钮螺钉	SCREW SM3/16×28 L=9	1	1	1
12	101.06-06	送料连杆	ROCKER SHAFT CONNECTING ROD	1		
	101.06-06XH	送料连杆	ROCKER SHAFT CONNECTING ROD		1	1
13	101.06-07	送料连杆销	WALKING FOOT PIN C	1	1	1
14	11-60090620-01	送料连杆销螺钉	SCREW SM9/64×40 L=6	1	1	1
15	101.06-49	抬牙连杆	CONNECTING ROD	1	1	1
16	31-09428000-09	送料调节螺柱O形圈	RUBBER RING	1	1	1
17	101.07-22	倒送料拉簧	FEED REVERSE SPRING	1		
	101.07-22XH	倒送料拉簧	FEED REVERSE SPRING		1	1
18	24-05000000-08	开口挡圈	SNAP RING 5	1	1	1
19	101.07-20-00	倒送料曲柄组件	FEED REVERSE ASM	1		
	101.07-20-00XH	倒送料曲柄组件	FEED REVERSE ASM		1	1
19.1	101.07-20-02	倒送料曲柄销	PIN	(1)	(1)	(1)
19.2	101.07-20-03XH	销子	PIN		(1)	(1)
20	11-00162030-01	倒送料曲柄螺钉	FEED REVERSE ARM SCREW SM1/4×40	1		
	11-60121420-01	倒送料曲柄螺钉	FEED REVERSE ARM SCREW 3/16-28 L=14		1	1
21	24-05000000-08	开口挡圈	SNAP RING 5	1	1	1
22	101.07-26	摆动板座复位簧	ADJUSTING LINK SPRING	1		
	101.07-26XH	摆动板座复位簧	ADJUSTING LINK SPRING		1	1
23	101.06-16	送料摆动板座右销	ADJUSTING LINK FULCRUM SHAFT B	1	1	1
24	101.06-11	短摆动座连接销	WALKING FOOT PIN A	2	2	2
25	101.06-09	送料长摆动板	WALKING FOOT LINK	2	2	2
26	101.06-10	送料短摆动板	CONNECTING LINK A	2	2	2
27	101.06-13-00	倒送料摆动板座组件	WALKING FOOT AD JUSTING LINK	1		
	101.06-13-00XH	倒送料摆动板座组件	WALKING FOOT AD JUSTING LINK		1	1
28	101.06-14	送料摆动板座右销	ADJUSTING LINK FULCRUM SHAFT A	1	1	1
29	11-80151150-01	螺钉	SCREW SM15/64×28 L=11	2	2	2
30	11-60090620-01	连接销螺钉	SCREW SM9/64×40 L=6	2	2	2
31	101.06-32	牙架销	FEED BAR SHAFT	1	1	1
32	25-15000000-08	送料轴轴用挡圈	RETAINING RING	1	1	1
33	101.06-34	送料牙	FEED DOG A	1		
	101.06-34XH	送料牙	FEED DOG A		1	
	120.04-04	送料牙	FEED DOG A			1
34	11-60080620-01	送料牙螺钉	SCREW SM1/8× 44 L= 6	2	2	2
35	101.06-31-00	牙架组件	FEED BAR ASM	1	1	1
36	101.07-24	摆动板座复位板	ADJUSTING LINK SPRING GUIDE	1		
37	11-60110520-01	摆动板座复位板螺钉	SCREW SM11/64×40 L=5	2		

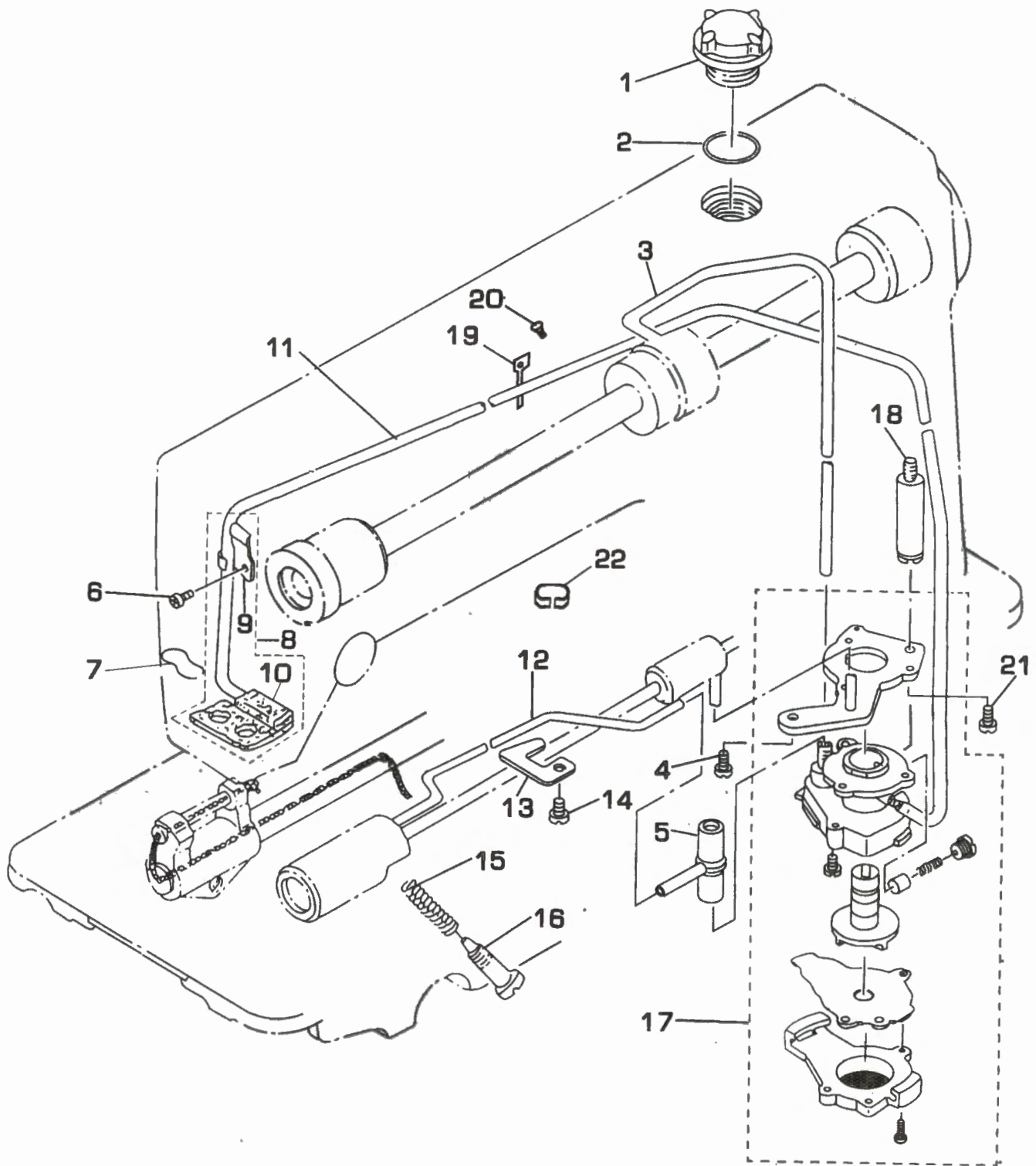
5. 送料分组件 FEED MECHANISM COMPONENTS



五、送料分组件(FEED MECHANISM COMPONENTS)

序号 NO.	图号	名称	DESCRIPTION	数量(AMT)		
	REF NO.			M	H	B
38	101.07-23	拉簧固定板	FEED SPRING HOOK	1		
	101.07-23XH	拉簧固定板	FEED SPRING HOOK		1	1
39	101.06-22	送料轴	FEED ROCKER SHAFT	1	1	1
40	101.06-19	送料曲柄销	WALKING FOOT PIN B	1	1	1
41	11-60090620-01	送料曲柄销螺钉	SCREW SM9/64×40 L=6	1	1	1
42	13-60184020-01	拾牙连杆轴位螺母	NUT 9/32×28	1	1	1
43	101.06-18	送料曲柄	FEED ROCKER SHAFT CRANK	1		
	101.06-18XH	送料曲柄	FEED ROCKER SHAFT CRANK		1	1
44	11-60121420-01	送料曲柄螺钉	SCREW SM3/16×28 L=14	1	1	1
45	101.06-47	拾牙曲柄	REAR CRANK ASM	1	1	1
46	11-60121220-01	拾牙曲柄螺钉	SCREW SM3/16×28 L=12	1	1	1
47	101.06-50	拾牙连杆轴位螺钉	HINGE SCREW	1	1	1
48	101.06-44	拾牙轴	FEED DRIVING SHAFT	1	1	1
49	101.02-06	送料轴挡圈	THRUST COLLAR ASM D=14.72 W=12	1	1	1
50	11-80160610-01	送料轴挡圈螺钉	SCREW SM1/4×40 L=6	2	2	2
51	101.06-26	送料轴轴套	FEED ROCKER SHAFT BUSHING	1	1	1
52	21-06520150-01	送料调节器轴垫圈	WASHER		1	1
53	11-60110720-01	牙架轴紧固螺钉	SCREW SM11/64×40 L=7	1	1	1
54	25-15000000-08	拾牙轴轴用挡圈	RETAINING RING	1	1	1
55	101.06-28	牙架座	FEED ROCKER ASM	1	1	1
56	11-60121420-01	牙架座螺钉	SCREW SM3/16×28 L=14	1	1	1
57	101.06-42	拾牙叉形曲柄	DRIVING SHAFT CRANK ASM ,FRONT	1	1	1
58	11-60111120-01	拾牙叉形曲柄螺钉	SCREW SM11/64×40 L=10.5	1	1	1
59	11-90161020-01	送料调节器轴螺栓	SCREW SM1/4×40 L=9.2		1	1
60	101.06-26	拾牙轴轴套	FEED ROCKER SHAFT BUSHING	1	1	1
61	101.02-06	拾牙轴挡圈	THRUST COLLAR ASM D=14.72 W=12	1	1	1
62	11-80160610-01	拾牙轴挡圈螺钉	SCREW SM1/4×40 L=6	2	2	2
63	31-08018000-09	倒送料轴O形圈	RUBBER RING	1	1	1
64	101.07-14	倒送料轴	FEED REVERSE SHAFT	1		
	101.07-14XH	倒送料轴	FEED REVERSE SHAFT		1	1
65	101.07-16	倒送料轴套	FEED REVERSE BUSHING	1	1	1
66	11-80150810-01	倒送料扳手紧固螺钉	SCREW SM15/64×28 L=8	1	1	1
67	11-80151030-01	倒送料扳手定位螺钉	SCREW SM15/64×28 L=10	1	1	1
68	101.07-17	倒送料扳手	REVERSE FEED CONTROL LEVER	1	1	1
69	423.06-45	倒送料轴端螺钉	SCREW SM3/16×32		1	1
70	23-13003170-09	三波浪形弹性垫圈	WASHER GB955-87 12		1	1
71	101.07-28XH	送料调节器轴	FEED ADJUSTING SHAFT		1	1
72	43-10250000-00	油线Φ2.5×250mm	OIL WICK	0.25	0.25	0.25
73	43-10250000-00	油线Φ2.5×720mm	OIL WICK	0.72	0.72	0.72
74	21-04808080-01	垫圈	WASHER	1	1	1

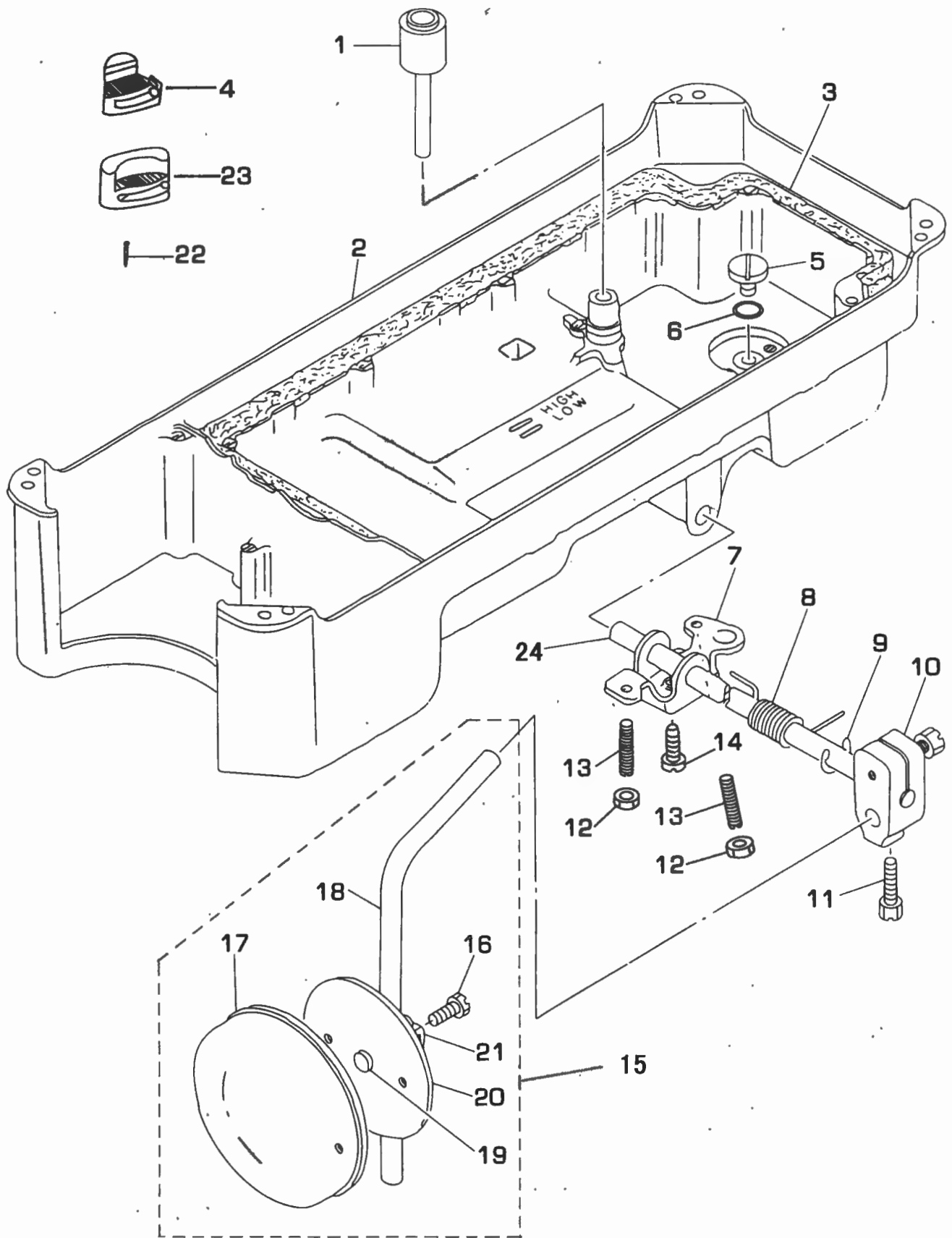
6. 润滑分组件 OIL LUBRICATION COMPONENTS



六、润滑分组件(OIL LUBRICATION COMPONENTS)

序号 NO.	图号 REF NO.	名称	DESCRIPTION	数量(AMT)		
				M	H	B
1	101.08-25	油窗	OIL SIGHT WINDOW	1	1	1
2	31-20024000-09	油窗O形圈	RUBBER RING	1	1	1
3	101.08-19	上轴供油管	MAIN SHAFT OIL TUBE	1	1	1
4	11-40150925-01	油泵安装螺钉	SCREW SM15/64×28 L=9	1	1	1
5	101.08-18	供油管接头	RUBBER JOINT	1	1	1
6	11-40120625-01	回油管夹螺钉	SCREW SM3/16×28 L=6	1	1	1
7	101.08-33	回油毡夹	OIL FELT PRESSER	1	1	1
8	101.08-28-00	回油管组件	OIL RETURN TUBE HOLDER ASM	1	1	1
9	101.08-28	回油管夹	OIL RETURN TUBE HOLDER	(1)	(1)	(1)
10	101.08-30	回油毡组件	OIL RETURN TUBE PLATE SDM	(1)	(1)	(1)
11	42-05003000-00	回油管	OIL RETURN TUBE	(0.66)	(0.66)	(0.66)
12	101.08-20	旋梭轴供油管	OIL TUBE	1	1	1
13	101.08-23	旋梭轴供油管压板	TUBE HOLDER (LOWER)	1	1	1
14	11-40150925-01	压板螺钉	SCREW SM15/64×28 L=9	1	1	1
15	101.08-22	旋梭油量调节簧	SPRING	1	1	1
16	101.08-21	旋梭油量调节螺钉	OIL ADJUSTING SCREW	1	1	1
17	101.08-01-00	油泵组件	LUBRICATING OIL PUMP ASM	1	1	1
18	101.08-16	油泵连接螺柱	OIL PUMP SUPPORT SM15/64×28	1	1	1
19	101.08-37	回油管压板	OIL RETURN CLAMP	1	1	1
20	11-40120625-01	回油管压板螺钉	SCREW SM3/16×28 L=6	1	1	1
21	11-60111020-01	螺柱连接螺钉	SCREW SM11/64×40 L=9.5	1	1	1
22	124.09-44	毛线夹	HOLDER	1	1	1

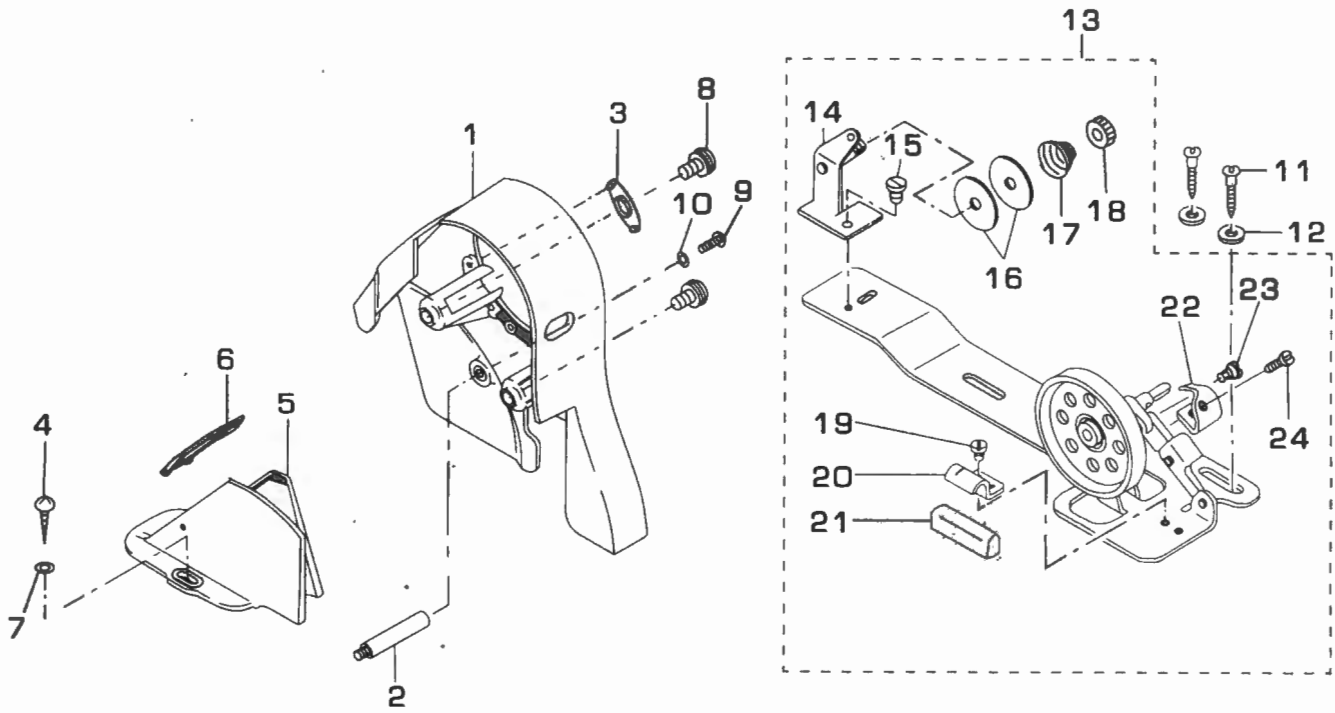
7. 油盘分组件 OIL RESERVOIR COMPONENTS



七、油盘分组件(OIL RESERVOIR COMPONENTS)

序号 NO.	图号	名称	DESCRIPTION	数量(AMT)		
	REF NO.			M	H	B
1	101.09-02	抬压脚顶销	KNEE PRESS LIFTER ROD	1	1	1
2	101.09-01	油盘	OIL RESERVOIR	1	1	1
3	101.09-03	油盘衬垫	GASKET	1	1	1
4	120.09-05	油盘支座(小)	OIL RESERVOIR FELT CUSHION	2	2	2
5	11-70200720-01	排油孔螺钉	SCREW SM5/16×24 L=7	1	1	1
6	31-06224000-09	油塞螺钉O形密封圈	RUBBER RING	1	1	1
7	101.09-07	抬压脚双向曲柄	CONNECTING ROD VERTICAL	1	1	1
8	101.09-08	抬压脚曲柄簧	SPRING	1	1	1
9	24-10000000-09	抬压脚轴开口挡圈	SNAP RING 10	1	1	1
10	101.09-10	抬压脚操纵杆接头	KNEE PRESS ROD BEARING BRACKET	1	1	1
11	12-90801423-02	抬压脚操纵接头螺钉	SCREW M8 L=14	2	2	2
12	14-60603320-02	限位调节螺母	NUT M6	2	2	2
13	12-80603050-02	限位调节螺钉	SCREW M6 L=30	2	2	2
14	12-90601633-02	抬压脚双向曲柄螺钉	SCREW M6 L=16	1	1	1
15	101.09-15-00	操纵杆组件	KNEE LIFTER PLATE ROD ASM.	1	1	1
16	11-90151520-01	操纵杆夹头螺钉	SCREW SM15/64×28 L=15	(1)	(1)	(1)
17	101.09-20	操纵板软垫	KNEE PRESS PLATE ASM	(1)	(1)	(1)
18	101.09-15	操纵杆	KNEE LIFTER PLATE ROD	(1)	(1)	(1)
19	101.09-18	操纵杆垫块	RUBBER	(1)	(1)	(1)
20	101.09-19	操纵板	KNEE PRESS PLATE	(1)	(1)	(1)
21	101.09-17	操纵杆夹头	KNEE PRESS PLATE HOLDER	(1)	(1)	(1)
22	101.12-03	油盘座钉	NAIL	4	4	4
23	120.09-04	油盘支座(大)	OIL RESERVOIR RUBBER CUSHION	2	2	2
24	101.09-06	膝抬压脚轴	KNEE PRESS ROD	1	1	1

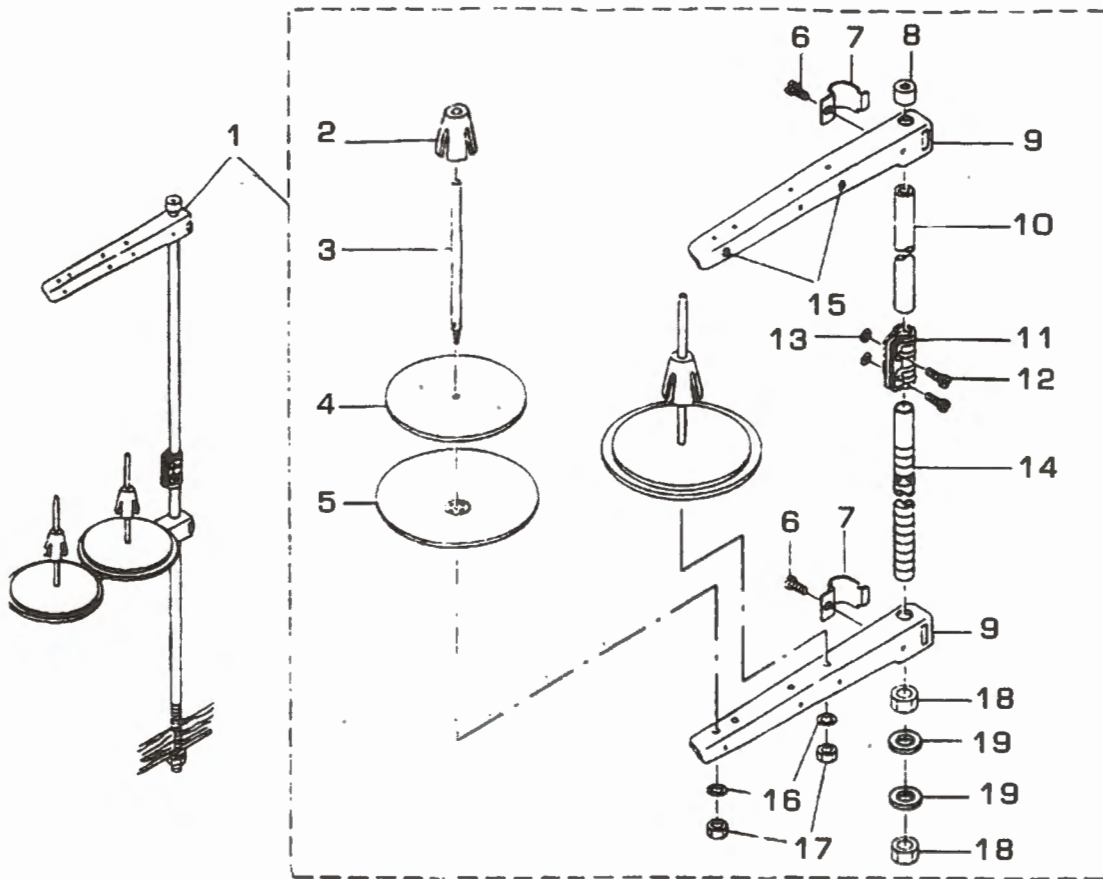
8. 绕线器、皮带罩分组件 BELT COVER BOBBIN WINGER COMPONENTS



八、绕线器、皮带罩分组件(BELT COVER BOBBIN WINGER COMPONENTS)

序号 NO.	图号	名称	DESCRIPTION	数量(AMT)		
	REF NO.			M	H	B
1	101.12-04	带轮前罩壳	BELT COVER ,A	1	1	1
2	101.12-11	后罩壳支柱	BELT COVER SUPPORT	1	1	1
3	101.12-05	前罩壳安装架	BELT COVER, A CAP	1	1	1
4	101.12-08	木螺钉	WOOD SCREW D=4.1 L=20	2	2	2
5	101.12-06	上轮后罩壳	BELT COVER ,B	1	1	1
6	101.12-07	上轮后罩壳盖板	BELT COVER ,B COVER ASM	1	1	1
7	21-04608100-03	木螺钉垫圈	WASHER 4.5×10×0.8	2	2	2
8	11-40201725-01	前罩壳紧固螺钉	BELT COVER,A SCREW SM5/16×24 L=17	2	2	2
9	11-40121425-01	支柱螺钉	SCREW SM3/16×28 L=14	1	1	1
10	21-05010110-01	螺钉垫圈	WASHER 5×10.5×1	1	1	1
11	101.12-08	木螺钉	WOOD SCREW D=4.1 L=20	2	2	2
12	21-04608100-03	木螺钉垫圈	WASHER 4.5×10×0.8	2	2	2
13	101.10-01-00	绕线器组件	BOBBIN WINDER ASM	1	1	1
14	101.10-18	过线架座	THREAD TENSION ASM	(1)	(1)	(1)
15	11-40110525-01	过线架座紧固螺钉	SCREW SM11/64×40 L=7.8	(1)	(1)	(1)
16	101.10-20	过线夹线板	THREAD TENSION DISK	(2)	(2)	(2)
17	101.10-21	过线夹线簧	THREAD TENSION SPRING	(1)	(1)	(1)
18	101.10-22	过线夹线螺母	TENSION NUT	(2)	(2)	(2)
19	11-60110320-01	制动垫夹螺钉	SCREW SM11/64×40 L=3	(1)	(1)	(1)
20	101.10-14	制动垫夹	PRESSER PLATE	(1)	(1)	(1)
21	101.10-13	绕丝轮制动垫	RUBBER BRAKE	(1)	(1)	(1)
22	101.10-16	满线跳板簧	POSITIONING FINGER	(1)	(1)	(1)
23	101.10-10	绕线连杆轴位螺钉	HINGE SCREW D=4.9 H=2.6	(1)	(1)	(1)
24	11-70081320-01	满线跳板簧螺钉	SCREW SM1/8×44 L=12.5	(1)	(1)	(1)

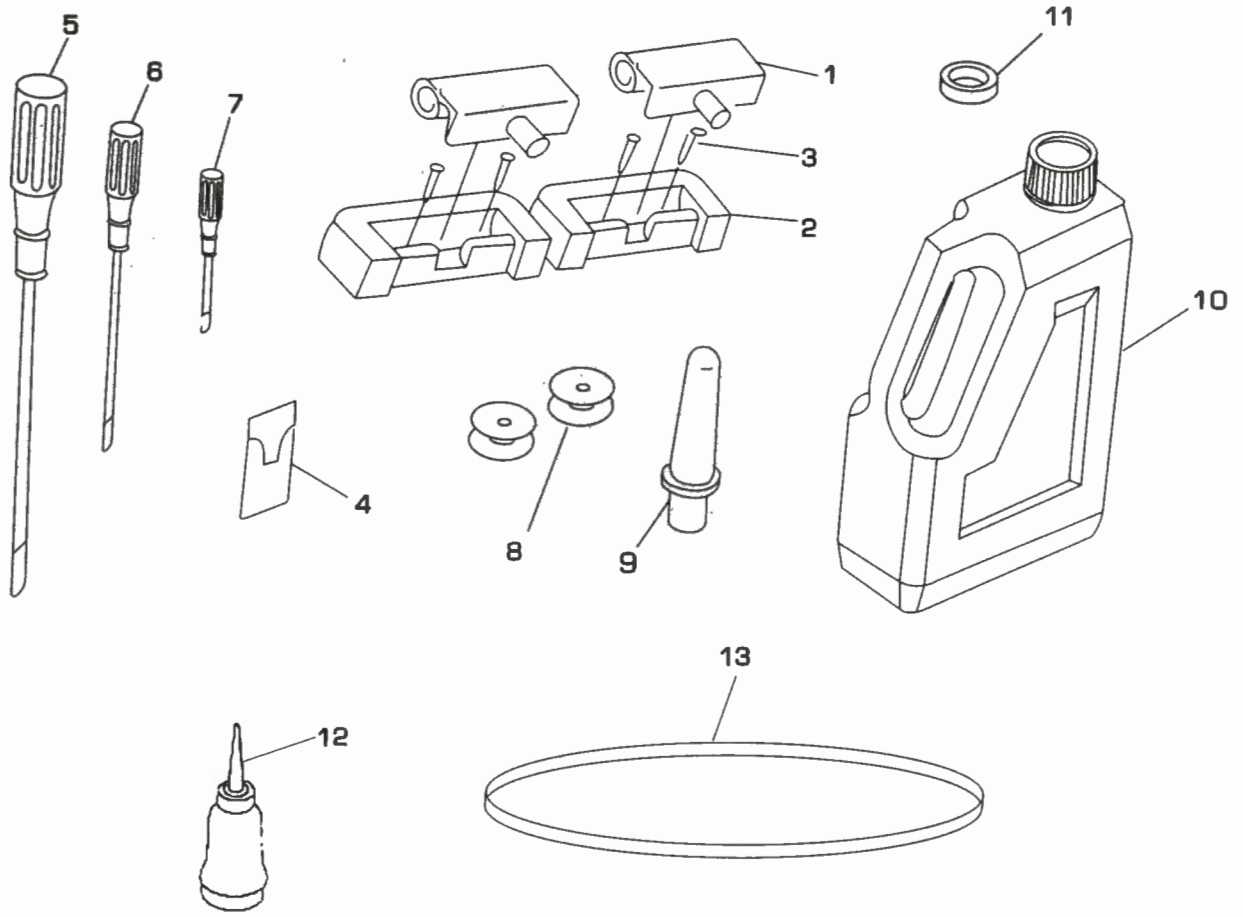
9. 线架分组件 THREAD STAND COMPONENTS



九、线架分组件 (THREAD STAND COMPONENTS)

序号 NO.	图号	名称	DESCRIPTION	数量(AMT)		
	REF NO.			M	H	B
1	101.11-01	线架组件	THREAD STAND ASM	1	1	1
2	279.12-00-22	线盘芯	SPOOL REST ASM	(2)	(2)	(2)
3	279.12-00-23	线盘钉	THREAD STAND LOWER TUBE CUSHION	(2)	(2)	(2)
4	279.12-00-24	线盘垫	NUT	(2)	(2)	(2)
5	279.12-00-25	线圈托盘	COLUMN PIPE (UPPER)	(2)	(2)	(2)
6	279.12-00-04	螺钉	COLUMN JOINT	(2)	(2)	(2)
7	279.12-00-03	线臂抱攀	SCREW	(2)	(2)	(2)
8	279.12-00-01	上直管盖帽	NUT	(1)	(1)	(1)
9	279.12-00-08	短固线臂	UPPER TUBE CAP	(2)	(2)	(2)
10	279.12-00-02	线架上直管	THREAD HANGER(LOWER)	(1)	(1)	(1)
11	279.12-00-15	直管接头	THREAD TRAY SHAFT	(1)	(1)	(1)
12	279.12-00-16	紧固螺钉	ELASTIC CUSHION	(2)	(2)	(2)
13	279.12-00-14	紧固螺母	NUT	(2)	(2)	(2)
14	279.12-00-19	下直管	SCREW	(1)	(1)	(1)
15	279.12-00-07	引线圈	WASHER	(2)	(2)	(2)
16	279.12-00-26	弹性垫圈	THREAD TRAY DIAC	(2)	(2)	(2)
17	279.12-00-27	螺帽	THREAD TRAY	(2)	(2)	(2)
18	279.12-00-20	螺帽	THREAD TRAY WICK	(2)	(2)	(2)
19	279.12-00-21	防震垫	THREAD HANGER(UPPER)	(2)	(2)	(2)

10. 附件· ACCESSORIES



十、附件 (ACCESSORIES)

序号 NO.	图号	名称	DESCRIPTION	数量(AMT)		
	REF NO.			M	H	B
1	101.12-01	机头连接钩部件	HEAD CONNECTING HOOK	2	2	2
2	120.09-02	机头连接钩座	HEAD CONNECTING HOOK SOCKET	2	2	2
3	101.12-03	机头连接钩座钉	HEAD CONNECTING HOOK NAIL	4	4	4
4	101.03-13	机针DB×1 14#	NEEDLES 1 BAG	10枚		
	101.03-13XH	机针DB×1 21#	NEEDLES 1 BAG		3枚	3枚
5	101.12-15	螺丝刀 (大)	SCREW DRIVER (L)	1	1	1
6	101.12-16	螺丝刀 (中)	SCREW DRIVER (M)	1	1	1
7	101.12-17	螺丝刀 (小)	SCREW DRIVER (S)	1	1	1
8	101.05-03	梭心	BOBBIN	2	2	2
9	101.12-19	机头支柱	HEAD POLE	1	1	1
10	101.12-21	油箱	OIL BOTTLE WITH OIL	1	1	1
11	101.09-22	油盘磁铁	OIL RESERVOIR MAGNET	1	1	1
12	279.11-18	小油壶 (空)	POLY OILER ASSY	1	1	1
13	101.12-35	皮带 (M41)	BELT, VM; WHITE	1	1	1